

SUPPRESSOR FOR CONTACTORS

VDR, 24 VAC/DC, 50 VA/W

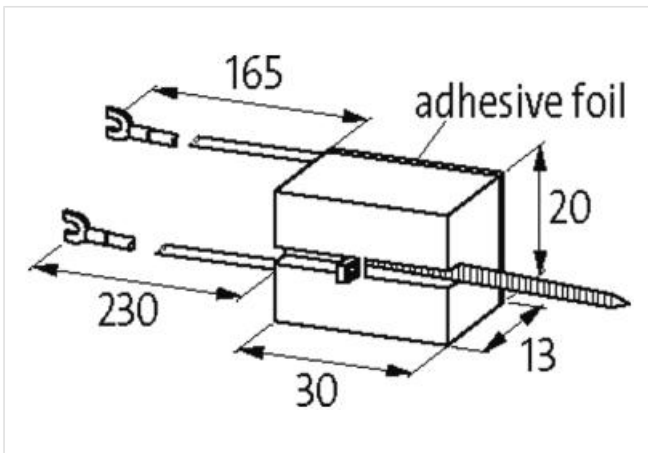
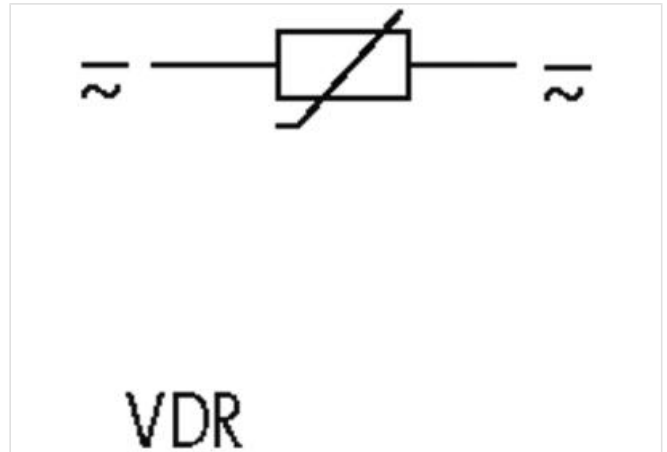
24 V DC

VDR

For other configurations and voltages, please inquire.

[Link to Product](#)

Illustration



Product may differ from Image



Commercial data

ECLASS-6.0	27371013
ECLASS-6.1	27371013
ECLASS-7.0	27371013
ECLASS-8.0	27371013
ECLASS-9.0	27371013
ECLASS-10.1	27371013

ECLASS-11.1	27371013
ECLASS-12.0	27371013
ETIM-5.0	EC002498
customs tariff number	85363010
GTIN	4048879018166
Packaging unit	1

Compatibility | Compatible with

Appropriate contactors universal

Electrical data

Damping factor 1.5× UN
Holding power max. 50 W

Electrical data | Input

Input voltage AC min. 0 V
Input voltage AC max. 30 V
Input voltage DC min. 0 V
Input voltage DC max. 30 V

Installation | Connection

Connection information self-securing cable forks

Device protection | Media

Flame resistance flame retardant

Mechanical data | Material data

Combustibility class housing (UL94) V-0
Material housing Plastic

Mechanical data | Mounting data

Height 30 mm
Width 20 mm
Depth 13 mm

Environmental characteristics | Climatic

Operating temperature min. -20 °C
Operating temperature max. 70 °C