

MOTOR SUPPRESSOR

RC, 3x400VAC/10kW

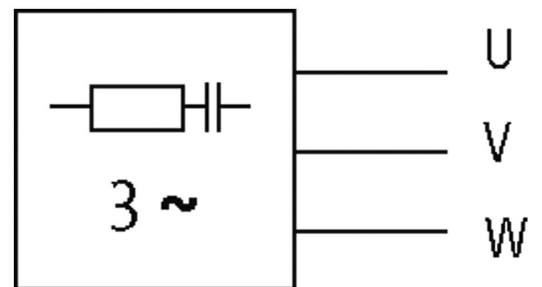
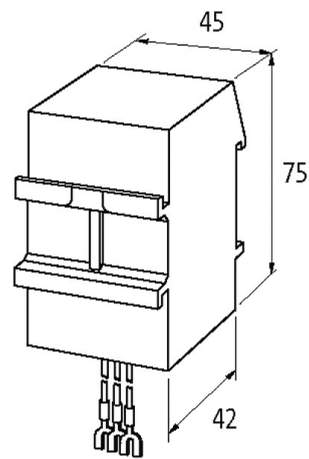
3× 400 V AC

RC

Suppressors for other voltages, frequencies, and motor ratings available on request. Do not use RC motor suppressors with frequency inverters.

[Link to Product](#)

Illustration



RC

Product may differ from Image

Approvals



General data

Connection approx. 250 mm, single cores 0.5 mm², with self-securing fork terminal ends M4

Dimensions H×W×D	75×45×42 mm
------------------	-------------

Temperature range	-20...+60 °C
-------------------	--------------

Technical Data

Frequency	50...60 Hz
-----------	------------

Material	Flame retardant plastic acc. to (UL 94)
----------	---

Potting compound	2-component epoxy
------------------	-------------------

Commercial data

country of origin	CZ
-------------------	----

customs tariff number	85363010
-----------------------	----------

EAN	4048879019651
-----	---------------

eClass	27371013
--------	----------

Packaging unit	1
----------------	---