

## SIEMENS CONTACTOR SUPPRESSOR

Diode, 0...240VDC

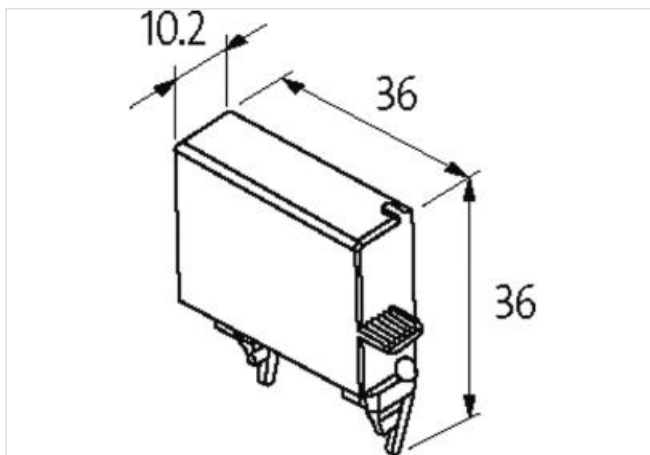
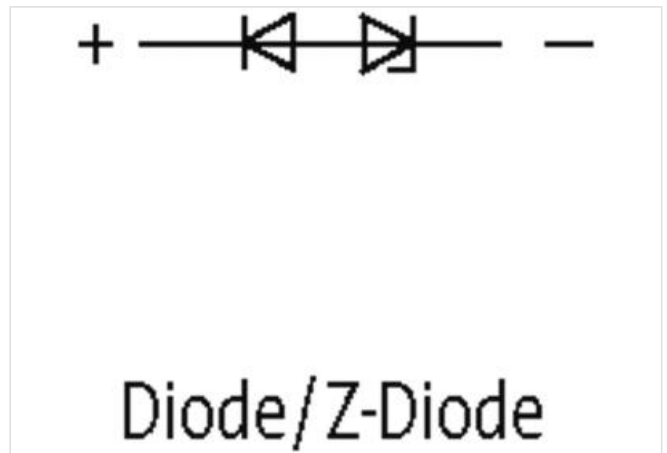
24 V AC/DC

Diode/Z-Diode

For other configurations and voltages, please inquire.

### [Link naar het product](#)

#### Afbeelding



Product van afwijken van afbeelding



#### Commerciële gegevens

ECLASS-6.0	27371013
ECLASS-6.1	27371013
ECLASS-7.0	27371013
ECLASS-8.0	27371013
ECLASS-9.0	27371013
ECLASS-10.1	27371013
ECLASS-11.1	27371013

ECLASS-12.0	27371013
-------------	----------

ETIM-5.0	EC002498
----------	----------

Douane tarief nummer	85363010
----------------------	----------

GTIN	4048879017558
------	---------------

Verpakkingseenheid	1
--------------------	---

**Compatibility | Compatible with**

Appropriate contactors	3 RT 10.24/25/26
------------------------	------------------

**Electrical data | Input**

Input voltage DC min.	0 V
-----------------------	-----

Input voltage DC max.	30 V
-----------------------	------

**Mechanical data | Mounting data**

Height	36 mm
--------	-------

Width	36 mm
-------	-------

Depth	10,2 mm
-------	---------

**Environmental characteristics | Climatic**

Operating temperature min.	-20 °C
----------------------------	--------

Operating temperature max.	70 °C
----------------------------	-------