

MEF EMC-FILTER 1-PHASE 2-STAGE

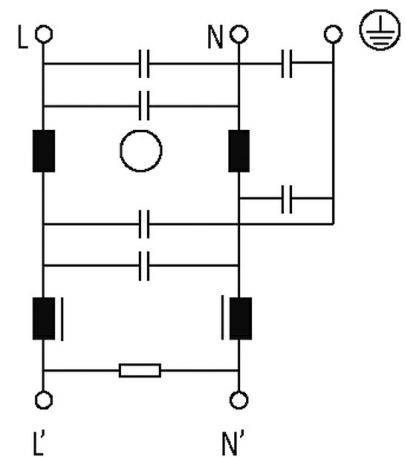
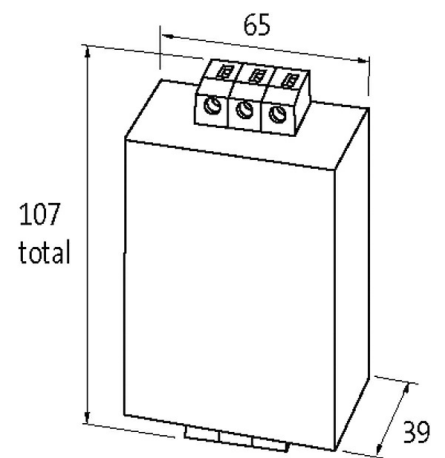
I:4A U:250 VAC/300 VDC snap on

Current: 4 A
DIN-rail mountable

against symmetrical interferences Attenuation curves on request.

[Link naar het product](#)

Afbeelding



Product van afwijken van afbeelding

Toelatingen



Technical Data

Operating voltage	max. 250 V AC/300 V DC
Operating frequency	50...60 Hz
Consumption	max. 5 mA (250 V AC)

De informatie in dit datablad is met de groots mogelijke zorg samengesteld
Aansprakelijkheid beperkt tot grove nalatigheid voor de juistheid, volledigheid en actualiteit. Status: 04/20

Overload current	18× (IN t) max. 0.5 ms; 1.5× (IN t) max. 1 min. (1× per hour)
Connection cross section	0.2...6 mm ² single core (AWG 24...9); 0.2...4 mm ² multiple core (AWG 24...11)

General data

Climatic category	25/085/21 (EN 60068-1)
Test isolation voltage	2.7 kV (L - N), 2 s; 2.1 kV (L - L), 2 s (EN 60939-2)
Connection	Screw connection, touch protected
Mounting method	DIN-rail mountable TH35 (EN 60715)
Dimensions H×W×D	107×65×39 mm

Description

Functional description	The single phase 2-stage EMC filters MEF 1/2 are used in the range 0.1...30 MHz to suppress cable carried interference on mains and control cables. The best filter performance is achieved by using short connection wires (suggestion: earth connection < 10
Application	symmetrical interferences: units with high repetitions of the switching processes, - switch mode P.S.U.s, - phase angle controller, - supply of universal motors, - behind transformers

Commerciële gegevens

Douane tarief nummer	85363010
EAN	4048879029353
eClass	27130806
Land van oorsprong	IT
Verpakkingseenheid	1