

**M12 MALE 0° / M8 FEMALE 0°**

PUR 3X0.34 GRAY, drag ch 3.5m

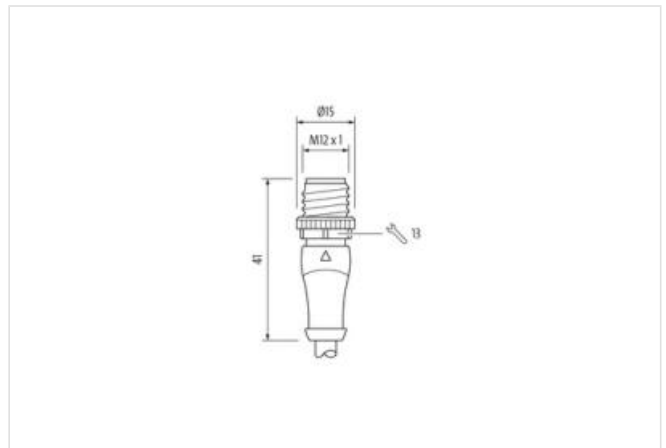
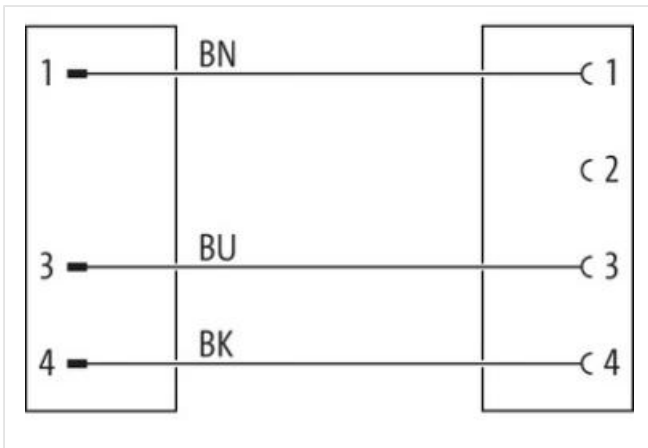
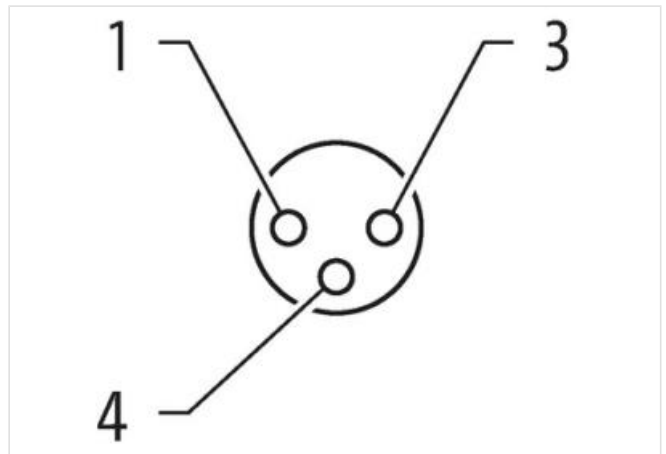
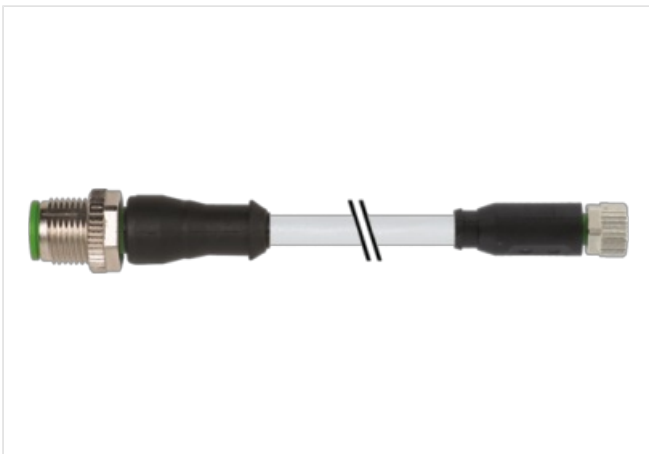
Male straight – female straight

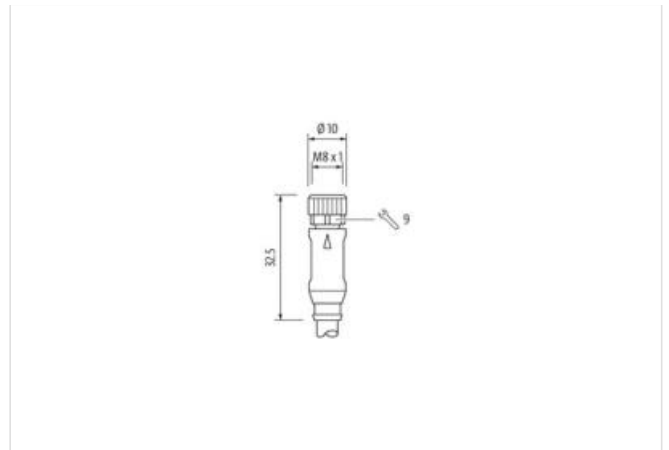
M12 – M8, 3-pole

Plastic housings with good resistance against chemicals and oils.

The resistance to aggressive media should be individually tested for your application. Further details on request.

Further cable lengths on request.

[Link naar het product](#)**Afbeelding**



Product van afwijken van afbeelding



Cable length 3,5 m

**Side 1**

Tightening torque 0,6 Nm

Family construction form M12

Thread M12 x 1

Degree of protection (EN IEC 60529) IP66K, IP67

**Side 2**

Tightening torque 0,4 Nm

Family construction form M8

Thread M8 x 1

Degree of protection (EN IEC 60529) IP66K, IP67

**Commerciële gegevens**

ECLASS-6.0 27279218

ECLASS-7.0 27279218

ECLASS-8.0 27279218

ECLASS-9.0 27060311

ECLASS-10.1 27060311

ECLASS-11.1 27060311

ECLASS-12.0 27060311

ETIM-5.0 EC001855

Douane tarief nummer 85444290

GTIN 4048879282659

Verpakkingseenheid 1

**Electrical data | Supply**

Operating voltage AC max. 60 V

Operating voltage DC max. 60 V

Current operating per contact max. 4 A

**Device protection | Electrical**

Additional condition protection degree inserted, screwed

**Mechanical data | Material data**

Coating locking Nickered



Bending radius (dynamic)	10 x Outer diameter
No. of bending cycles (C-track)	10 Mio. @ 25 °C
Traversing distance (C-track)	10 m @ 25 °C   horizontal
Travel speed (C-track)	3 m/s @ 25 °C
No. of torsion cycles	2 Mio.
Torsion stress	± 180 °/m
Torsion speed	35 cycles/min