

**Valve plug MDC06-2s / MDC04-2p**

PUR 2x0.75 bk UL/CSA+drag ch. 2.5m

Xtreme - Outdoor

Further cable lengths on request.

Male straight – female straight

6...230 V AC/DC

2-pole

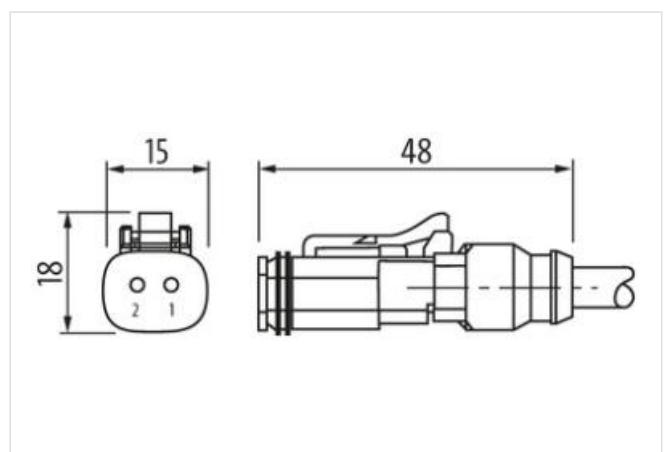
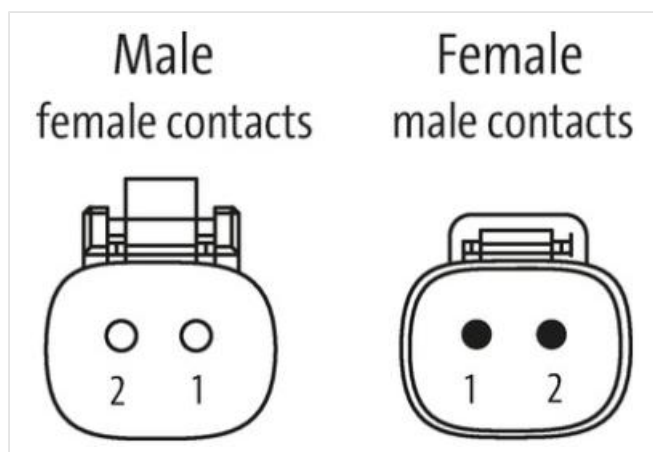
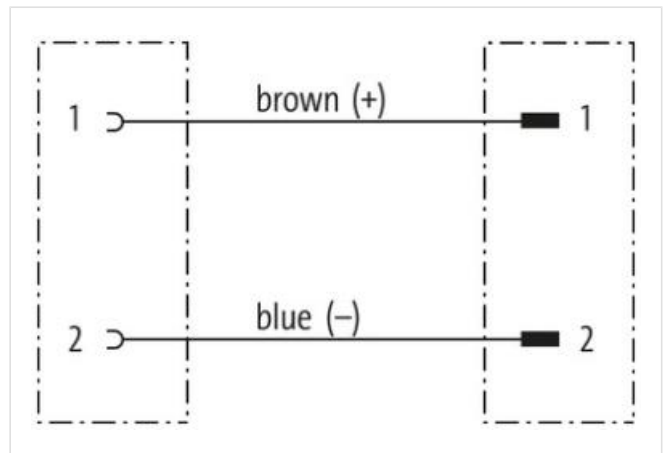
without components

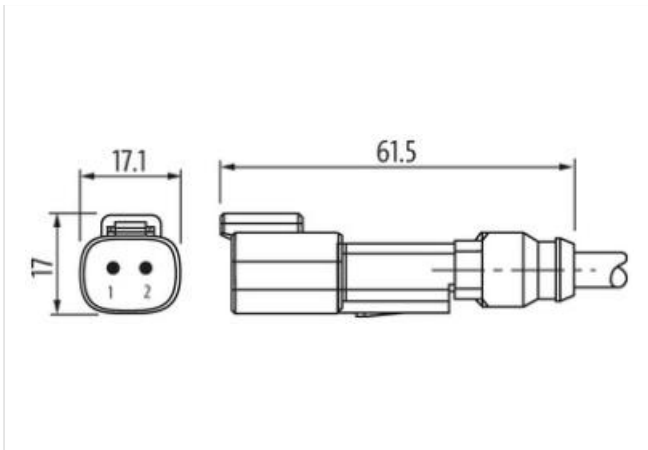
Compatible with:

Deutsch DT06-2S

Plastic housings with good resistance against chemicals and oils.

The resistance to aggressive media should be individually tested for your application. Further details on request.

[Link to Product](#)**Illustration**



Product may differ from Image

|   |                   |
|---|-------------------|
| Cable length                              | 2,5 m             |
| <b>Side 1</b>                             |                   |
| Mounting method                           | inserted          |
| Coating contact                           | nickel plated     |
| Family construction form                  | Amphenol AT06-2S  |
| suitable for corrugated tube (internal Ø) | 11 mm             |
| Material contact                          | Copper alloy      |
| No. of poles                              | 2                 |
| <b>Side 2</b>                             |                   |
| Mounting method                           | inserted          |
| Coating contact                           | nickel plated     |
| Family construction form                  | Amphenol AT04-2P  |
| No. of poles                              | 2                 |
| <b>Commercial data</b>                    |                   |
| ECLASS-6.0                                | 27279218          |
| ECLASS-7.0                                | 27279218          |
| ECLASS-8.0                                | 27279218          |
| ECLASS-9.0                                | 27060311          |
| ECLASS-10.1                               | 27060312          |
| ECLASS-11.1                               | 27060312          |
| ECLASS-12.0                               | 27060312          |
| ETIM-5.0                                  | EC001855          |
| customs tariff number                     | 85444290          |
| GTIN                                      | 4048879723107     |
| Packaging unit                            | 1                 |
| <b>Electrical data   Supply</b>           |                   |
| Operating voltage AC min.                 | 6 V               |
| Operating voltage AC max.                 | 230 V             |
| Operating voltage DC min.                 | 6 V               |
| Operating voltage DC max.                 | 230 V             |
| Current operating per contact max.        | 8 A               |
| <b>Diagnostics</b>                        |                   |
| Status indication LED                     | no                |
| <b>Device protection   Electrical</b>     |                   |
| Degree of protection (EN IEC 60529)       | IP68              |
| Additional condition protection degree    | inserted, screwed |

|   |   |
|---|---|
| Pollution Degree                                  | 3   |
| Rated surge voltage                               | 2,5 kV  |
| Material group (IEC 60664-1)                      | I   |
| Additional suppressor                             | without components  |
| <b>Mechanical data   Material data</b>            |   |
| Material gasket                                   | Silicon   |
| Material housing                                  | PA  |
| <b>Mechanical data   Mounting data</b>            |   |
| Looking techniques                                | Snap-in connector   |
| <b>Environmental characteristics   Climatic</b>   |   |
| Operating temperature min.                        | -25 °C  |
| Operating temperature max.                        | 85 °C   |
| Additional condition temperature range            | depending on cable quality  |
| <b>Important installation notes</b>               |   |
| Note on strain relief                             | Protect the connectors by suitable measures from mechanical loads, e.g. by the usage of cable ties.   |
| Note on bending radius                            | <b>Attention:</b> Observe the permissible bending radii when laying cables, as the IP protection class can be endangered by excessive bending forces. |
| <b>Installation   Cable</b>                       |   |
| wire arrangement                                  | brown, blue   |
| Cable identification                              | 754   |
| Cable Type  | 3   |
| Jacket Color                                      | black   |
| Type of Certificate                               | cURus   |
| Amount stranding                                  | 1   |
| Stranding   | 2 wires twisted   |
| wire arrangement                                  | brown, blue   |
| Cable weight                                      | 40,7 g/m  |
| Material jacket                                   | PUR   |
| Shore hardness jacket                             | 90 ± 5 Shore A  |
| Freedom from ingredients (jacket)                 | lead-free, cadmium-free, CFC-free, halogen-free, silicone-free  |
| Outer-diameter (jacket)                           | 5 mm  |
| Tolerance outer diameter (sheath)                 | ± 5 %   |
| Material wire insulation                          | PP  |
| Amount wires                                      | 2   |
| Outer diameter insulation                         | 1,7 mm  |
| Outer diameter tolerance core insulation          | ± 5 %   |
| Shore hardness wire insulation                    | 70 ± 5 Shore D  |
| Ingredient freeness wire insulation               | lead-free, cadmium-free, CFC-free, halogen-free, silicone-free  |
| Amount strands (wire)                             | 42  |
| Diameter of single wires                          | 0,15 mm   |
| Conductor crosssection (wire)                     | 0,75 mm <sup>2</sup>  |
| Material conductor wire                           | Stranded copper wire, bare  |
| Conductor type (wire)                             | strand class 6  |
| Nominal voltage AC max.                           | 300 V   |
| Current load capacity (standard)                  | to DIN VDE 0298-4   |
| Current load capacity min. wire                   | 12 A  |
| Electrical resistance line constant wire          | 26 Ω/km @ 20 °C   |
| AC withstand voltage (wire - wire)                | 2,5 kV @ 60 s   |
| Power frequency withstand voltage (wire - jacket) | 2,5 kV @ 60 s   |
| Min. operating temperature (static)               | -40 °C  |
| Max. operating temperature (fixed)                | 80 °C / 90 °C @ 10000 h Operation   |

|                                      |  |
|--------------------------------------|--|
| Operating temperature min. (dynamic) | -25 °C   |
| Operating temperature max. (dynamic) | 80 °C / 90 °C @ 10000 h Operation                    |
| UV resistance                        | DIN EN ISO 4892-2 A                                  |
| Flame resistance                     | UL 1581 § 1090   UL 1581 § 1100 FT2   IEC 60332-2-2  |
| chemical resistance                  | Good, application-related testing                    |
| Gasoline resistance                  | Good, application-related testing                    |
| Oil resistance                       | DIN EN 60811-404   Good, application-related testing |
| Bending radius (fixed)               | 5 x Outer diameter                                   |
| Bending radius (dynamic)             | 10 x Outer diameter                                  |
| No. of bending cycles (C-track)      | 10 Mio. @ 25 °C                                      |
| Traversing distance (C-track)        | 10 m @ 25 °C   horizontal                            |
| Travel speed (C-track)               | 3 m/s @ 25 °C  |
| No. of torsion cycles                | 2 Mio.   |
| Torsion stress                       | ± 180 °/m  |
| Torsion speed                        | 35 cycles/min  |