

M12 male 90° A-cod. screw terminal F&B Pro

5-pol., 0,25 - 1,0mm², 3,5 - 6mm

M12 F&B Pro

Male 90°

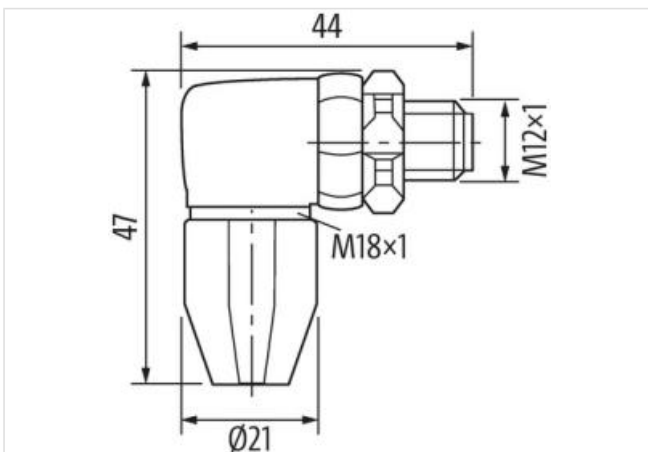
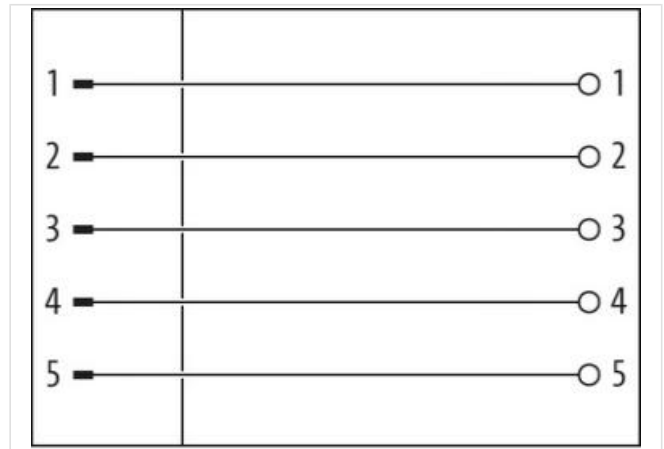
5-pole

Screw terminals

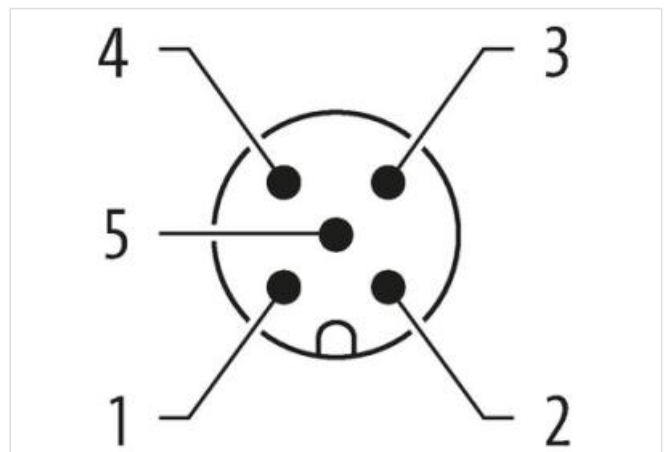
The resistance to aggressive media should be individually tested for your application. Further details on request.

[Link naar het product](#)

Afbeelding



Product van afwijken van afbeelding



Side 1

| | |
|-------------------------------------|-------------------------|
| Family construction form | M12 |
| Degree of protection (EN IEC 60529) | IP65, IP67, IP68, IP69K |

Commerciële gegevens

| | |
|------------|----------|
| ECLASS-6.0 | 27279221 |
| ECLASS-7.0 | 27440104 |

| | |
|----------------------|---------------|
| ECLASS-8.0 | 27440104 |
| ECLASS-9.0 | 27440102 |
| ECLASS-10.1 | 27440102 |
| ECLASS-11.1 | 27440102 |
| ECLASS-12.0 | 27440116 |
| ETIM-5.0 | EC002635 |
| Douane tarief nummer | 85366990 |
| GTIN | 4048879804653 |
| Verpakkingseenheid | 1 |

Electrical data | Supply

| | |
|------------------------------------|------|
| Operating voltage AC max. | 60 V |
| Operating voltage DC max. | 60 V |
| Current operating per contact max. | 4 A |

Installation

| | |
|-------------------------------|----------------------|
| Connection cross section min. | 0,25 mm ² |
| Connection cross section max. | 1 mm ² |

Installation | Connection

| | |
|--------------------|---------|
| Tightening torque | 0,6 Nm |
| Mounting set | M12 x 1 |
| Width across flats | SW19 |

Device protection | Electrical

| | |
|--|-------------------|
| Additional condition protection degree | inserted, screwed |
|--|-------------------|

Mechanical data | Material data

| | |
|------------------|-----------------|
| Material gasket | EPDM |
| Material housing | PA |
| Locking material | Stainless steel |

Mechanical data | Mounting data

| | |
|---------------------|----------------|
| Mounting method | Schraubgewinde |
| Clamping range min. | 3,5 mm |
| Clamping range max. | 6 mm |

Environmental characteristics | Climatic

| | |
|----------------------------|--------|
| Operating temperature min. | -25 °C |
| Operating temperature max. | 100 °C |

Important installation notes

| | |
|------------------------|---|
| Note on strain relief | Protect the connectors by suitable measures from mechanical loads, e.g. by the usage of cable ties. |
| Note on bending radius | Attention: Observe the permissible bending radii when laying cables, as the IP protection class can be endangered by excessive bending forces. |