

M23 SERVO CABLE

specification: 6FX5002-5CG11-1AD0

Female straight

Plastic housings with good resistance against chemicals and oils.

M23, 6-pole

4-pole used

shielded

without brake wires

Power cable for SINAMICS S120 and Motors with M23 connection

Mounting bracket

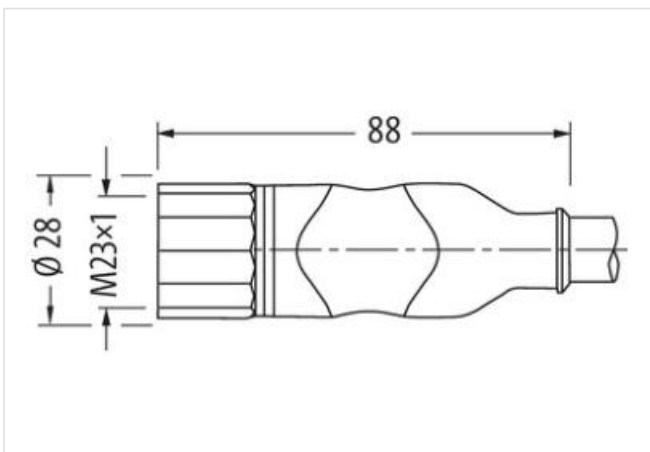
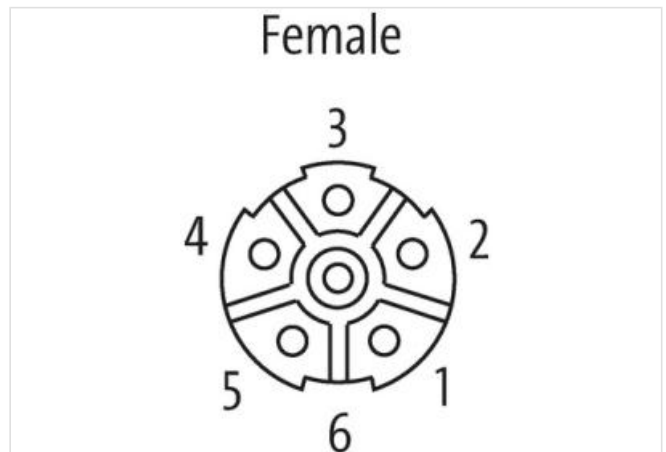
without cable sleeves

Further cable lengths on request.

Power cores: 12 A (1.5 mm²), 15 A (2.5 mm²)

[Link to Product](#)

Illustration



Product may differ from Image

Cable length 3 m

Side 1

Tightening torque 2 Nm

| | |
|---|---|
| Family construction form | M23 |
| Thread | M23 x 1 |
| suitable for corrugated tube (internal Ø) | 16 mm |
| Width across flats | SW27 |
| Commercial data | |
| ECLASS-6.0 | 27279218 |
| ECLASS-6.1 | 27279218 |
| ECLASS-7.0 | 27279218 |
| ECLASS-8.0 | 27279218 |
| ECLASS-9.0 | 27060327 |
| ECLASS-10.1 | 27060311 |
| ECLASS-11.1 | 27060311 |
| ECLASS-12.0 | 27060327 |
| ETIM-5.0 | EC001855 |
| customs tariff number | 85444290 |
| GTIN | 4048879687706 |
| Packaging unit | 1 |
| Electrical data Supply | |
| Operating voltage AC max. | 630 V |
| Operating voltage DC max. | 630 V |
| Device protection Electrical | |
| Degree of protection (EN IEC 60529) | IP65, IP67 |
| Additional condition protection degree | inserted, screwed |
| Pollution Degree | 3 |
| Rated surge voltage | 6 kV |
| Material group (IEC 60664-1) | I |
| Mechanical data Material data | |
| Coating locking | nickel plated |
| Material housing | PUR |
| Locking material | Brass |
| Mechanical data Mounting data | |
| Mounting method | inserted, screwed, Shaking protection |
| Environmental characteristics Climatic | |
| Operating temperature min. | -25 °C |
| Operating temperature max. | 85 °C |
| Additional condition temperature range | depending on cable quality |
| Important installation notes | |
| Note on strain relief | Protect the connectors by suitable measures from mechanical loads, e.g. by the usage of cable ties. |
| Note on bending radius | Attention: Observe the permissible bending radii when laying cables, as the IP protection class can be endangered by excessive bending forces. |
| Installation Cable | |
| wire arrangement | black W/L3/D/L-, black U/L1/C/L+, black V/L2, green-yellow |
| Cable identification | 869 |
| Jacket Color | orange |
| Type of Certificate | cURus |
| Amount stranding | 1 |
| Stranding | 4 wires with Filler twisted |
| Cable shielding (type) | copper braid, tinned |
| Cable shielding (coverage) | 85 % |
| Pair shielding (type) | copper braid, tinned |

| | |
|---|--|
| Banding | Fiber tape, Fleece |
| Filler | yes |
| wire arrangement | black W/L3/D/L-, black U/L1/C/L+, black V/L2, green-yellow |
| Cable weight | 183,7 g/m |
| Material jacket | PVC |
| Freedom from ingredients (jacket) | lead-free, CFC-free, silicone-free |
| Outer-diameter (jacket) | 9,7 mm |
| Tolerance outer diameter (sheath) | ± 5 % |
| Material wire insulation (Power) | TPM |
| Outer diameter wire insulation (Power) | 3 mm |
| Tolerance outer diameter wire insulation (Power) | ±5 % |
| Ingredient freeness wire insulation (Power) | lead-free, CFC-free, silicone-free |
| Printing colour wire insulation (Power) | white (isolation black) |
| Amount wires (Power) | 4 |
| Amount strands wire (Power) | 50 |
| Diameter of single wires (Power) | 0,25 mm |
| Wire conductor cross section (Power) | 2,5 mm ² |
| Material conductor wire (Power) | Stranded copper wire, bare |
| Conductor type wire (Power) | Strand class 5 |
| Max. rated voltage (conductor - conductor) | 1000 V |
| Max. rated voltage (conductor - ground) | 600 V |
| Current load capacity (standard) | to DIN VDE 0298-4 |
| Current carrying capacity min. wire (Power) | 20,8 A |
| Electrical resistance coating wire (Power) | 8 Ω/km @20 °C |
| AC withstand voltage (wire - wire) | 4 kV @ 60 s |
| Power frequency withstand voltage (wire - jacket) | 4 kV @ 60 s |
| AC withstand voltage (wire - shield) | 4 kV @ 60 s |
| Isolation resistance | 10 MΩ × km |
| Electrical capacity line constant (wire - shield) (power) | 250000 pF/km |
| Electrical capacity line constant (wire - wire) (power) | 150000 pF/km |
| Min. operating temperature (static) | -25 °C |
| Max. operating temperature (fixed) | 80 °C |
| Operating temperature min. (dynamic) | -5 °C |
| Operating temperature max. (dynamic) | 60 °C |
| Flame resistance | UL 1581 § 1090 IEC 60332-2-2 UL 1581 § 1100 FT2 |
| chemical resistance | Good, application-related testing |
| Gasoline resistance | Good, application-related testing |
| Oil resistance | DIN EN 60811-404 Good, application-related testing |
| Bending radius (fixed) | 5 x Outer diameter |
| Bending radius (dynamic) | 18 x Outer diameter |
| No. of bending cycles (C-track) | 0,1 Mio. @ 25 °C |
| Traversing distance (C-track) | 5 m @ 25 °C horizontal |
| Travel speed (C-track) | 0,5 m/s @ 25 °C |
| Torsion stress | ± 30 °/m |