

SVS Eco valve plug CI-9.4mm screw terminal

3-pol. + PE, max. 0,5mm², 5 -6mm

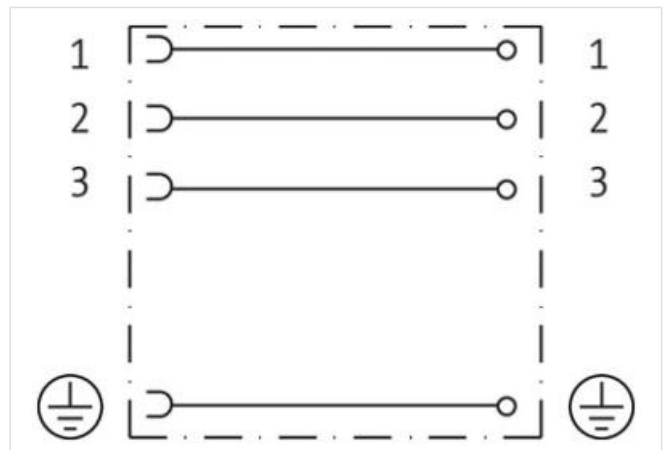
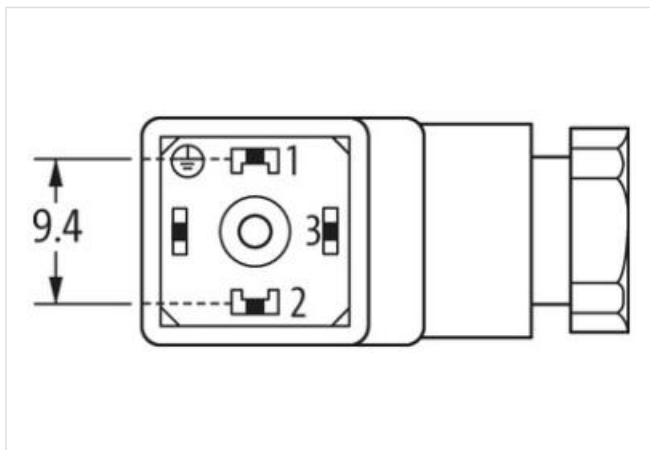
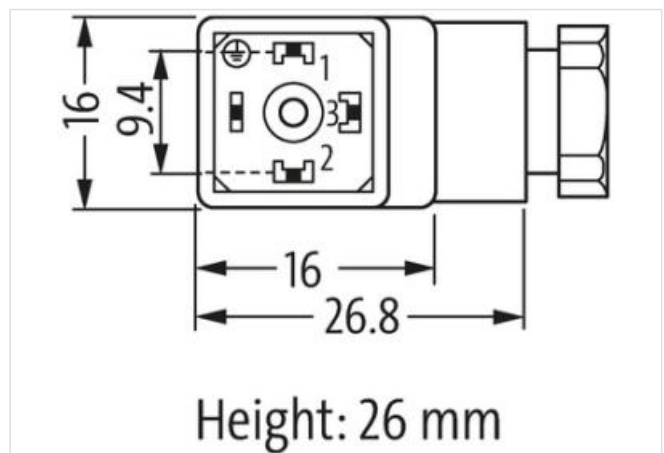
Form CI (9.4 mm)
max. 250 V AC/DC
without components
metric
field-wireable

Plastic housings with good resistance against chemicals and oils.

The resistance to aggressive media should be individually tested for your application. Further details on request.

Link to Product

Illustration



Product may differ from Image

Side 1

Mounting method	inserted, screwed
Degree of protection (EN IEC 60529)	IP65

Commercial data

ECLASS-6.0	27279221
ECLASS-7.0	27440104
ECLASS-8.0	27440104
ECLASS-9.0	27440102

ECLASS-10.1	27440105
ECLASS-11.1	27440105
ECLASS-12.0	27440105
ETIM-5.0	EC002062
customs tariff number	85366990
GTIN	4048879513715
Packaging unit	1

Electrical data | Supply

Operating voltage AC max.	250 V
Operating voltage DC max.	250 V
Current operating per contact max.	6 A

Installation

Connection cross section max.	0,5 mm ²
-------------------------------	---------------------

Installation | Connection

Tightening torque	0,4 Nm
Tightening torque clamping screw	0,2 Nm
Mounting set	M12 x 1.5

Installation | Pin assignment

No. of poles	3 + PE
--------------	--------

Device protection | Electrical

Additional condition protection degree	inserted, locked
--	------------------

Mechanical data | Material data

Material gasket	NBR
-----------------	-----

Mechanical data | Mounting data

fastening screw	M3
Clamping range min.	5 mm
Clamping range max.	6 mm

Environmental characteristics | Climatic

Operating temperature min.	-40 °C
Operating temperature max.	90 °C

Important installation notes

Note on strain relief	Protect the connectors by suitable measures from mechanical loads, e.g. by the usage of cable ties.
Note on bending radius	Attention: Observe the permissible bending radii when laying cables, as the IP protection class can be endangered by excessive bending forces.