

M23 female 0° with cable shielded

PUR 8x0.34+3x0.75 shielded gy UL/CSA+drag ch. 40m

Female straight

M23, 19-pole

11-pole used

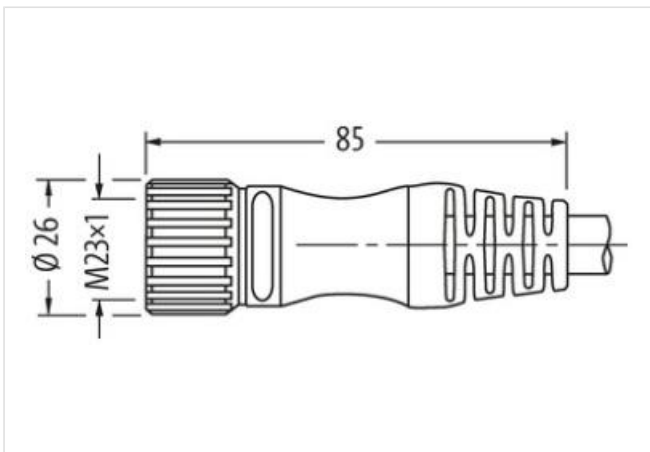
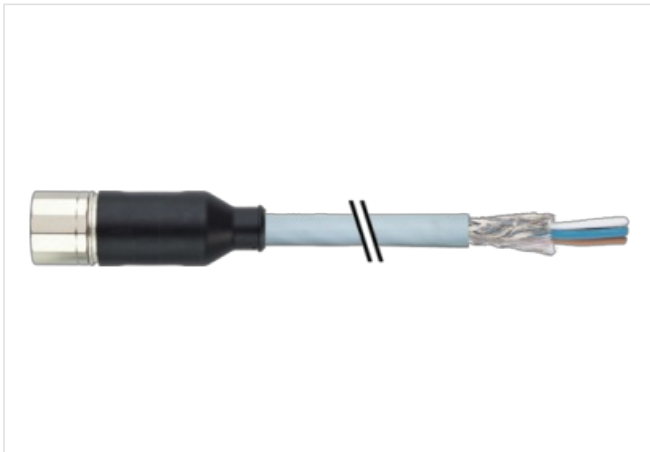
for 4-way distribution boxes, 5-pole

Shield on M23 cap nut

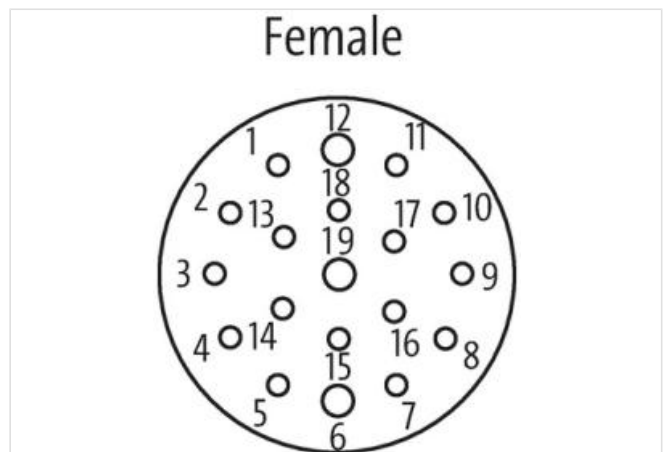
Further cable lengths on request.

Plastic housings with good resistance against chemicals and oils.

The resistance to aggressive media should be individually tested for your application. Further details on request.

[Link naar het product](#)**Afbeelding**

Product van afwijken van afbeelding



Cable length 40 m

Side 1

Tightening torque 2 Nm

Mounting method inserted, screwed

Family construction form M23

Thread M23 x 1

| | |
|---|---|
| Material | PUR |
| Width across flats | SW27 |
| Degree of protection (EN IEC 60529) | IP65, IP67 |
| Commerciële gegevens | |
| ECLASS-6.0 | 27279218 |
| ECLASS-7.0 | 27279218 |
| ECLASS-8.0 | 27279218 |
| ECLASS-9.0 | 27060311 |
| ECLASS-10.1 | 27060311 |
| ECLASS-11.1 | 27060311 |
| ECLASS-12.0 | 27060311 |
| ETIM-5.0 | EC001855 |
| Douane tarief nummer | 85444290 |
| GTIN | 4048879690690 |
| Verpakkingseenheid | 1 |
| Electrical data Supply | |
| Operating voltage AC max. | 125 V |
| Operating voltage DC max. | 125 V |
| Current operating per contact max. | 7,5 A |
| Installation Connection | |
| Mounting set | M23 x 1 |
| Device protection Electrical | |
| Additional condition protection degree | inserted, screwed |
| Mechanical data Material data | |
| Coating of fitting | nickel plated |
| Material screw connection | Brass |
| Mechanical data Mounting data | |
| Mounting method | inserted, screwed, Shaking protection |
| Environmental characteristics Climatic | |
| Operating temperature min. | -25 °C |
| Operating temperature max. | 85 °C |
| Additional condition temperature range | depending on cable quality |
| Important installation notes | |
| Note on strain relief | Protect the connectors by suitable measures from mechanical loads, e.g. by the usage of cable ties. |
| Note on bending radius | Attention: Observe the permissible bending radii when laying cables, as the IP protection class can be endangered by excessive bending forces. |
| Installation Cable | |
| wire arrangement | yellow, white, green, (blue, brown, green-yellow, gray, gray-pink, red-blue, green-white, brown-green) |
| Cable identification | 373 |
| Jacket Color | gray |
| Type of Certificate | cURus |
| Amount stranding | 1 |
| Stranding | 3 wires twisted |
| Stranding factor min. | 43 mm |
| Stranding factor max. | 43 mm |
| Amount stranding (type 2) | 1 |
| Stranding (type 2) | 8 wires around Stranding combination counter-rotating twisted |
| Stranding factor min. (type 2) | 90 mm |
| Stranding factor max. (type 2) | 90 mm |
| Cable shielding (type) | copper braid, tinned |
| Cable shielding (coverage) | 80 % |

| | |
|---|--|
| Banding | Fleece, Foil |
| wire arrangement | yellow, white, green, (blue, brown, green-yellow, gray, gray-pink, red-blue, green-white, brown-green) |
| Cable weighth | 145,2 g/m |
| Material jacket | PUR |
| Shore hardness jacket | 85 Shore A |
| Freedom from ingredients (jacket) | lead-free, cadmium-free, CFC-free, halogen-free, silicone-free, LABS-free |
| Outer-diameter (jacket) | 9,3 mm |
| Tolerance outer diameter (sheath) | ± 5 % |
| Material wire insulation | TPE-E |
| Amount wires | 8 |
| Outer diameter insulation | 1,4 mm |
| Outer diameter tolerance core insulation | ± 5 % |
| Shore hardness wire insulation | 55 Shore D |
| Ingredient freeness wire insulation | lead-free, CFC-free, halogen-free, silicone-free, LABS-free |
| Amount strands (wire) | 42 |
| Diameter of single wires | 0,1 mm |
| Conductor crosssection (wire) | 0,34 mm ² |
| Material conductor wire | Stranded copper wire, bare |
| Conductor type (wire) | strand class 6 |
| Material wire insulation (Data) | TPE-E |
| Outer diameter wire insulation (Data) | 1,8 mm |
| Tolerance outer diameter wire insulation (data) | ± 5 % |
| Shore hardness wire insulation (Data) | 55 Shore D |
| Ingredient freeness wire insulation (Data) | lead-free, CFC-free, halogen-free, silicone-free, LABS-free |
| Amount wires (Data) | 3 |
| Amount strands wire (Data) | 96 |
| Diameter of single wires (Data) | 0,1 mm |
| Conductor crosssection wire (Data) | 0,75 mm ² |
| Material conductor wire (Data) | Stranded copper wire, bare |
| Wire conductor type (Data) | strand class 6 |
| Max. rated voltage (conductor - conductor) | 500 V |
| Max. rated voltage (conductor - ground) | 300 V |
| Current load capacity (standard) | to DIN VDE 0298-4 |
| Current load capacity min. wire | 4 A |
| Current load capacity min. Wire (Data) | 12 A |
| Electrical resistance line constant wire | 53 Ω/km @ 20 °C |
| Electrical resistance coating wire (Data) | 26 Ω/km @ 20 °C |
| AC withstand voltage (wire - wire) | 2 kV @ 60 s |
| Power frequency withstand voltage (wire - jacket) | 2 kV @ 60 s |
| AC withstand voltage (wire - shield) | 2 kV @ 60 s |
| Min. operating temperature (static) | -40 °C |
| Max. operating temperature (fixed) | 90 °C |
| Operating temperature min. (dynamic) | -40 °C |
| Operating temperature max. (dynamic) | 90 °C |
| Flame resistance | UL 1581 § 1090 IEC 60332-2-2 UL 1581 § 1100 FT2 |
| chemical resistance | Good, application-related testing |
| Gasoline resistance | Good, application-related testing |
| Oil resistance | Good, application-related testing DIN EN 60811-404 |
| Bending radius (installation) | x Outer diameter |
| Bending radius (fixed) | x Outer diameter |
| Bending radius (dynamic) | 12 x Outer diameter |
| No. of bending cycles (C-track) | 5 Mio. |
| Travel speed (C-track) | 2 m/s |