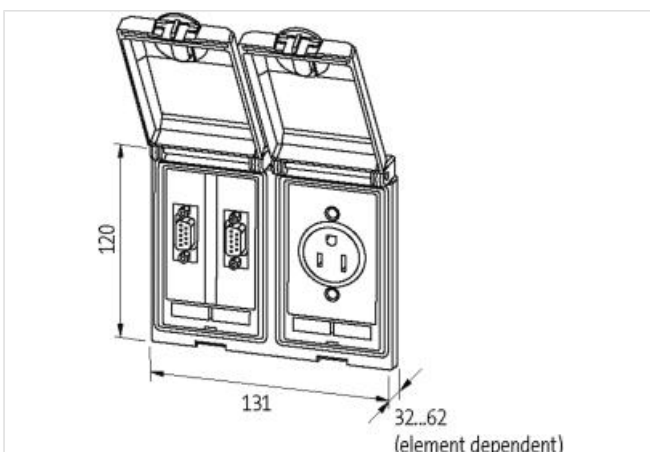


Modlink MSDD-set: Frame 4000-68122-0000000,
insert 4000-68000-0230000 + 4000-68000-0050000

[Link naar het product](#)

Afbeelding



Product van afwijken van afbeelding


Commerciële gegevens

| | |
|----------------------|---------------|
| ECLASS-6.0 | 27189217 |
| ECLASS-6.1 | 27189217 |
| ECLASS-7.0 | 27189217 |
| ECLASS-8.0 | 27189217 |
| ECLASS-9.0 | 27189217 |
| ECLASS-10.1 | 27182806 |
| ECLASS-11.1 | 27182806 |
| ECLASS-12.0 | 27182806 |
| ETIM-5.0 | EC002625 |
| Douane tarief nummer | 85389099 |
| GTIN | 4048879035712 |
| Verpakkingseenheid | 1 |

Frame

| | |
|---|-----------------------|
| Degree of protection (EN IEC 60529) | IP65 |
| Operating temperature min. | -10 °C |
| Operating temperature max. | 60 °C |
| Storage temperature min. | -25 °C |
| Storage temperature max. | 60 °C |
| Suitable for installation wall thickness min. | 1 mm |
| Suitable for installation wall thickness max. | 5 mm |
| Coating housing | KTL |
| Material housing | Fine zinc die casting |

France (UTE-NF)

| | |
|-------------------------------|--------------------|
| Connection cross section max. | 6 mm ² |
| AWG number max. | 10 |
| Operating voltage AC | 250 V |
| Operating current | 16 A |
| Status indication LED | yellow |
| Connection | Screw terminals SK |
| No. of poles | 2 + PE |
| Connections per pole | 2 |
| Protection contact present | yes |

SUB-D9

| | |
|---------------------------------------|--|
| Operating voltage AC | 48 V |
| Operating voltage DC | 48 V |
| Operating voltage AC max. (UL-listed) | 30 V |
| Operating voltage DC max. (UL-listed) | 42,4 V |
| Operating current | 3 A |
| Current operating max. (UL) | 175 mA |
| Family construction form | SUB-D9 |
| Family type Back side | SUB-D9 |
| Gender | female |
| Gender Rear | Lötanschluss |
| Looking techniques | Standard UNC 4-40 screw thread bolt (EN 60807) |
| No. of poles | 9 |