

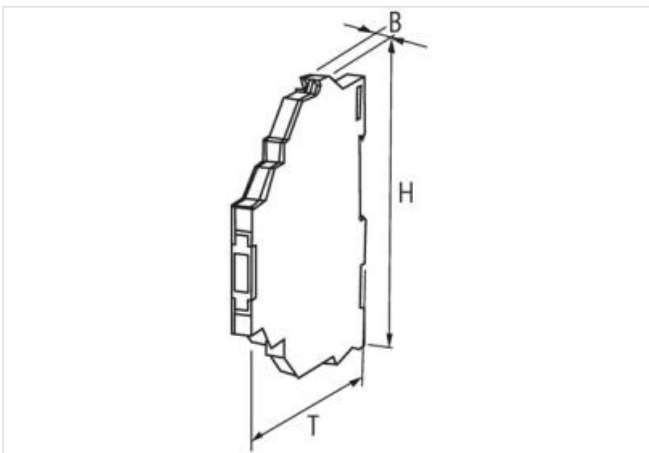
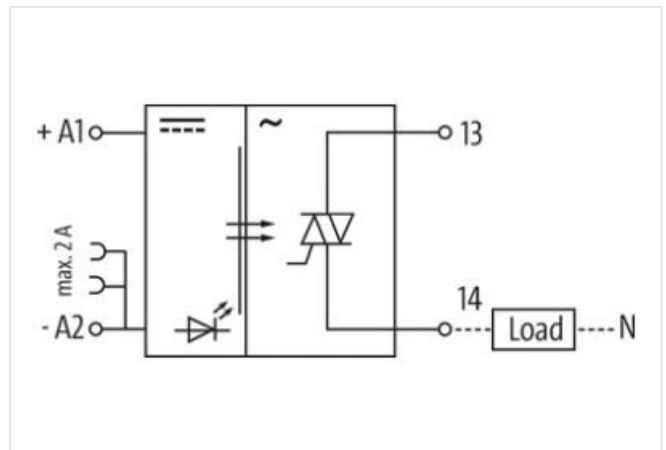
MIRO TH 5VDC FK OPTO-COUPLER MODULE

IN: 5,5 VDC - OUT: 250 VAC / 0,5A

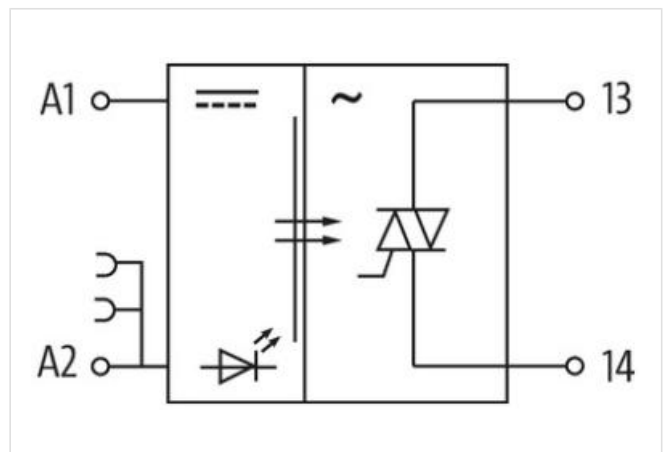
Triac 0.5 A
5 V DC
Spring clamp terminals

[Link naar het product](#)

Afbeelding



Product van afwijken van afbeelding



Commerciële gegevens

| | |
|-------------|----------|
| ECLASS-6.0 | 27371601 |
| ECLASS-6.1 | 27371604 |
| ECLASS-7.0 | 27371604 |
| ECLASS-8.0 | 27371604 |
| ECLASS-9.0 | 27371604 |
| ECLASS-10.1 | 27371604 |
| ECLASS-11.1 | 27371604 |

| | |
|---|---------------------------|
| ECLASS-12.0 | 27371604 |
| ETIM-5.0 | EC001504 |
| Douane tarief nummer | 85414900 |
| GTIN | 4048879021715 |
| Verpakkingseenheid | 1 |
| Electrical data Input | |
| Input voltage OFF DC min. | 0 V |
| Input voltage OFF DC max. | 2 V |
| Input voltage DC min. | 4 V |
| Input voltage DC max. | 5,5 V |
| Current input DC | 11,3 mA |
| Electrical data Output | |
| Switch off delay max. | 10 ms |
| Switch on delay max. | 10 ms |
| Quiescent current OFF max. | 0,3 mA |
| Additional condition switching frequency | depending on wiring |
| Switching frequency max. | 20 Hz |
| Voltage switching AC min. | 24 V |
| Switching voltage AC max. | 250 V |
| Switching current min. | 2 mA |
| Switching current max. | 0,5 A |
| Voltage drop AC max. | 1,5 V |
| Diagnostics | |
| Status indication LED | yellow |
| Device protection Electrical | |
| Rated surge voltage | 2,5 kV |
| Device protection Media | |
| Flame resistance | flame retardant |
| Mechanical data Material data | |
| Color housing | black |
| Material housing | Plastic |
| Mechanical data Mounting data | |
| Mounting method | geschnappt |
| Suitable for mounting type | mounting rail, (EN 60715) |
| Height | 78 mm |
| Width | 6,2 mm |
| Depth | 70 mm |
| Environmental characteristics Climatic | |
| Operating temperature min. | -20 °C |
| Operating temperature max. | 60 °C |
| Connection type 4 | |
| Connection | Spring clamp terminals FK |
| Family construction form | terminal |
| Gender | female |
| Color contact carrier | black |
| No. of poles | 1 |
| PIN 1 | 13 |
| Connection | Spring clamp terminals FK |
| Family construction form | terminal |
| Gender | female |

| | |
|--------------------------|---------------------------|
| Color contact carrier | black |
| No. of poles | 1 |
| PIN 1 | 14 |
| Connection | Spring clamp terminals FK |
| Family construction form | terminal |
| Gender | female |
| Color contact carrier | black |
| No. of poles | 1 |
| PIN 1 | + A 1 |
| Connection | Spring clamp terminals FK |
| Family construction form | terminal |
| Gender | female |
| Color contact carrier | black |
| No. of poles | 1 |
| PIN 1 | - A 2 |