

## VALVE PLUG SUPPRESSOR FORM BI - 11MM

With LED, 24VAC/DC/50VA/W

24 V AC/DC

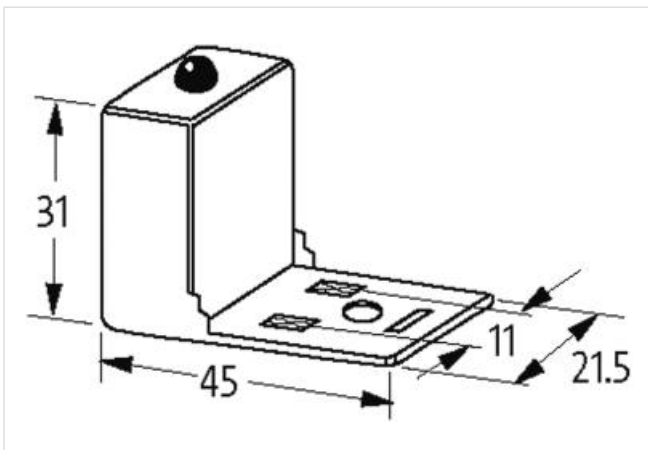
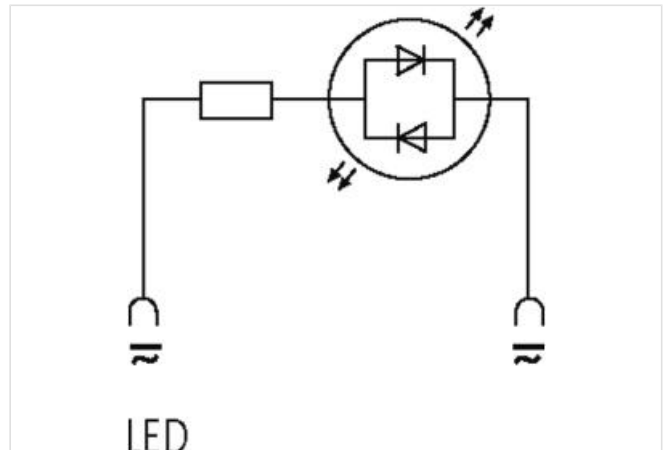
LED

Remove plug gasket when fitting adapter. Other LED colors on request.

Note PIN arrangement (PE at cable outlet of connector). 180° turned version on request.

### [Link to Product](#)

#### Illustration



Product may differ from Image



#### Commercial data

ECLASS-6.0	27371013
ECLASS-6.1	27371013
ECLASS-7.0	27371013
ECLASS-8.0	27371013
ECLASS-9.0	27371013
ECLASS-10.1	27371013

ECLASS-11.1	27371013
ECLASS-12.0	27371013
ETIM-5.0	EC000197
customs tariff number	85363010
GTIN	4048879011983
Packaging unit	1

**Electrical data**

Holding power max.	50 W
--------------------	------

**Electrical data | Input**

Input voltage AC min.	12 V
Input voltage AC max.	24 V
Input voltage DC min.	12 V
Input voltage DC max.	24 V

**Diagnostics**

Status indication LED	yellow
-----------------------	--------

**Device protection | Media**

Flame resistance	flame retardant
------------------	-----------------

**Mechanical data | Material data**

Coating contact	silver-plated
Color housing	black
Material housing	PA
Material contact	Bronze

**Mechanical data | Mounting data**

Height	31 mm
Width	45 mm
Depth	21,5 mm

**Environmental characteristics | Climatic**

Operating temperature min.	-20 °C
Operating temperature max.	60 °C
Housing temperature max. (EN 61347-2-13)	130 °C