

VALVE PLUG SUPPRESSOR FORM A - 18MM

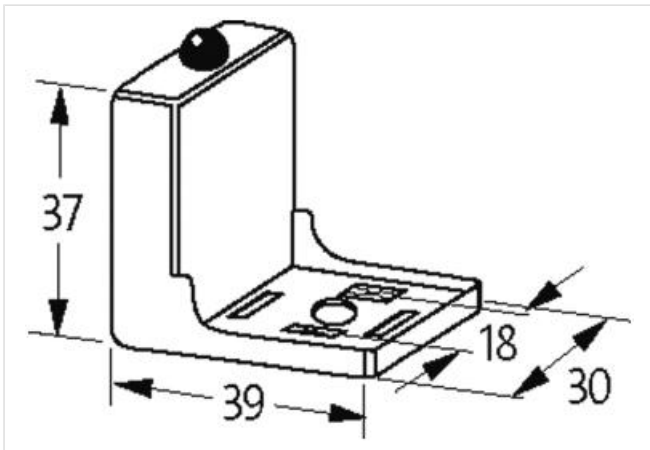
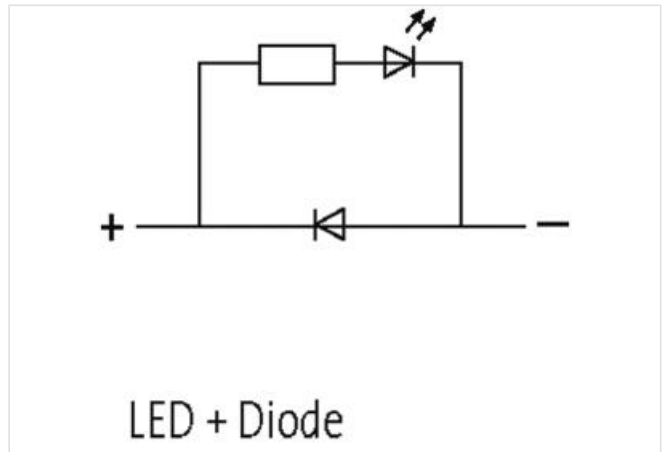
Diode and LED, 24VDC/50VA/W

24 V DC

Diode + LED

Remove plug gasket when fitting adapter. Other LED colors on request.

Polarity dependent

[Link to Product](#)**Illustration**

Product may differ from Image

**Commercial data**

ECLASS-6.0	27371013
ECLASS-6.1	27371013
ECLASS-7.0	27371013
ECLASS-8.0	27371013
ECLASS-9.0	27371013
ECLASS-10.1	27371013

ECLASS-11.1	27371013
ECLASS-12.0	27371013
ETIM-5.0	EC000197
customs tariff number	85363010
GTIN	4048879012263
Packaging unit	1
Electrical data	
Drop-out delay time max.	200 ms
Holding power max.	50 W
Electrical data Supply	
Cut-off peak voltage max.	1 V
Electrical data Input	
Input voltage DC min.	12 V
Input voltage DC max.	30 V
Diagnostics	
Status indication LED	yellow
Device protection Media	
Flame resistance	flame retardant
Mechanical data Material data	
Coating contact	silver-plated
Color housing	black
Material housing	PA
Material contact	Bronze
Mechanical data Mounting data	
Height	37 mm
Width	39 mm
Depth	30 mm
Environmental characteristics Climatic	
Operating temperature min.	-20 °C
Operating temperature max.	60 °C
Housing temperature max. (EN 61347-2-13)	130 °C