

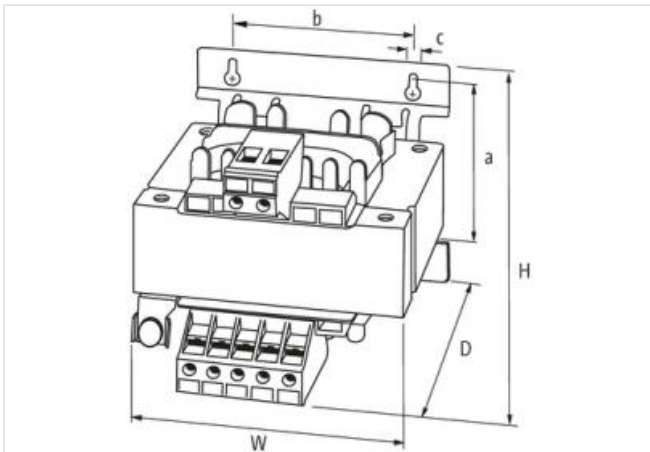
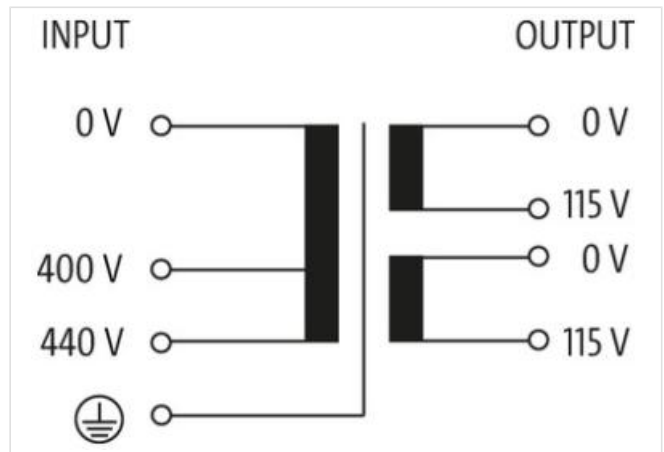
## MST SINGLE-PHASE CONTROL AND ISOLATION TRANSFORMER

P:800VA IN:400/440VAC OUT:115/230VAC

Single-phase - Control and Isolation Transformers  
800 VA  
Isolation class T 40/B  
Other voltages on request.

### [Link naar het product](#)

#### Afbeelding



Product van afwijken van afbeelding

#### Commerciële gegevens

ECLASS-6.0	27031202
ECLASS-7.0	27031202
ECLASS-8.0	27031202
ECLASS-9.0	27031202
ETIM-5.0	EC002486
Douane tarief nummer	85043180
GTIN	4048879337014
Verpakkingseenheid	1

#### Electrical data | Supply

Power frequency	50 ... 60 Hz
-----------------	--------------

Electrical data   Input	
Input voltage 1 AC	400 V
Input voltage 2 AC	440 V
Input current at input voltage 1 AC	2,2 A
Input current at input voltage 2 AC	1,98 A
Inrush current at input voltage 1	22 A
Inrush current at input voltage 2	20 A
Short-circuit current at input voltage 1	62 A
Short-circuit current at input voltage 2	56 A
Electrical data   Output	
Output voltage	1 × 230 / 1 × 115 / 2 × 115 V AC
Output voltage AC 1	230 V
Output voltage AC 2	115 V
Output voltage adjustable	yes
Power rating AC max.	800 VA
Device protection   Electrical	
Insulation test voltage input - output	5,9 kV
Mechanical data   Mounting data	
Suitable for mounting type	Schlüssellochauhängung
Mounting dimension a	107,5 mm
Mounting dimension b	122 mm
Mounting dimension c	7 mm
Height	130 mm
Width	150 mm
Depth	145 mm
Diameter bore	7 mm
Length bore	14 mm
Environmental characteristics   Climatic	
Operating temperature min.	-20 °C
Operating temperature max.	40 °C
Storage temperature min.	-40 °C
Storage temperature max.	80 °C
Conformity	
Product standard	EN 61558-2-6, EN 62041 category 0
Connection type 3	
Connection type 1	Input
Connection type 2	Output
Connection	Screw terminals SK
Family construction form	terminal
Gender	female
No. of poles	3
PIN 2	400 V
PIN 3	440 V
Connection	Screw terminals SK
Family construction form	terminal
Gender	female
No. of poles	4
PIN 2	115 V
PIN 4	115 V
Connection	Screw terminals SK
Family construction form	terminal

Gender	female
Color contact carrier	metallic
No. of poles	1
PIN 1	PE