

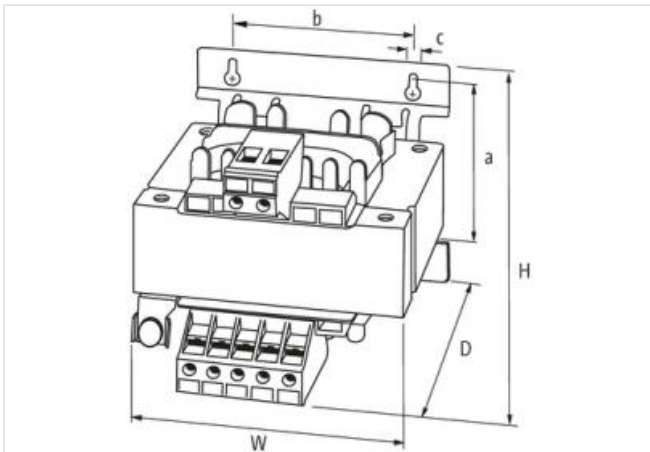
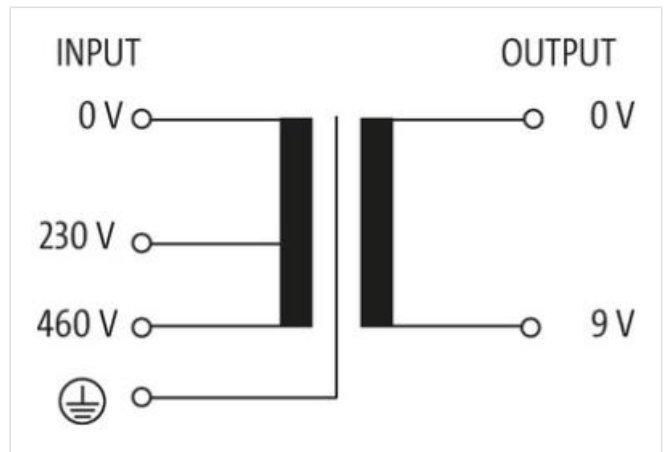
## MST SINGLE-PHASE SAFETY TRANSFORMER

P:40VA IN:230/460VAC OUT:9VAC

Single-phase - Control and Isolation Transformers  
40 VA  
Isolation class T 40/B  
Other voltages on request.

### [Link naar het product](#)

#### Afbeelding



Product van afwijken van afbeelding

#### Commerciële gegevens

ECLASS-6.0	27031202
ECLASS-7.0	27031202
ECLASS-8.0	27031202
ECLASS-9.0	27031202
ETIM-5.0	EC002485
Douane tarief nummer	85043180
GTIN	4048879073837
Verpakkingseenheid	1

#### Electrical data | Supply

Power frequency	50 ... 60 Hz
-----------------	--------------

Electrical data   Input	
Input voltage 1 AC	230 V
Input voltage 2 AC	400 V
Input voltage 3 AC	460 V
Input voltage AC	230 V
Input current at input voltage 1 AC	0,24 A
Input current at input voltage 2 AC	0,12 A
Max. inrush current	1,39 A
Short-circuit current	1,76 A
Electrical data   Output	
Output voltage AC	9 V
Output voltage adjustable	no
Power rating AC max.	40 VA
Device protection   Electrical	
Insulation test voltage input - output	4,8 kV
Mechanical data   Mounting data	
Suitable for mounting type	Schlüssellochaufhängung
Mounting dimension a	54 mm
Mounting dimension b	50 mm
Mounting dimension c	4,8 mm
Height	80 mm
Width	66 mm
Depth	79 mm
Environmental characteristics   Climatic	
Operating temperature min.	-20 °C
Operating temperature max.	40 °C
Storage temperature min.	-40 °C
Storage temperature max.	80 °C
Conformity	
Product standard	EN 61558-2-4, EN 61558-2-6, EN 62041 category 0
Connection type 3	
Connection type 1	Input
Connection type 2	Output
Connection	Screw terminals SK
Family construction form	terminal
Gender	female
No. of poles	3
PIN 2	230 V
PIN 3	460 V
Connection	Screw terminals SK
Family construction form	terminal
Gender	female
No. of poles	2
PIN 2	9 V
Connection	Screw terminals SK
Family construction form	terminal
Gender	female
Color contact carrier	metallic
No. of poles	1
PIN 1	PE