

MOTOR SUPPRESSION SHIELDING PLUGGABLE 10M PUR

(black-halogenfree)

3× 575 V AC

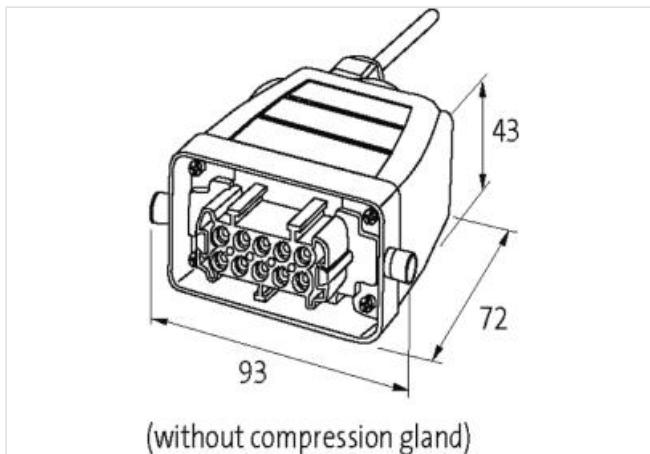
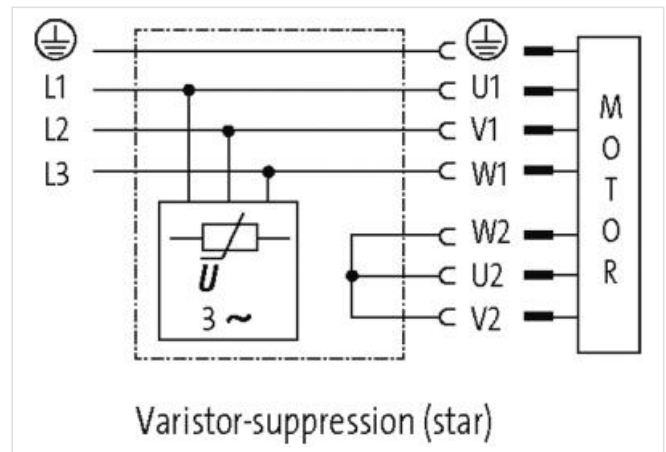
VDR/star

10.0 m

PUR cable black, 4× 1.5 mm², numbered wires, halogen-free

[Link to Product](#)

Illustration



Product may differ from Image



Commercial data

| | |
|-------------|----------|
| ECLASS-6.0 | 27371013 |
| ECLASS-6.1 | 27371013 |
| ECLASS-7.0 | 27371013 |
| ECLASS-8.0 | 27371013 |
| ECLASS-9.0 | 27371013 |
| ECLASS-10.1 | 27371013 |

| | |
|-----------------------|---------------|
| ECLASS-11.1 | 27371013 |
| ECLASS-12.0 | 27371013 |
| ETIM-5.0 | EC000197 |
| customs tariff number | 85363010 |
| GTIN | 4048879015141 |

| | |
|----------------|---|
| Packaging unit | 1 |
|----------------|---|

Electrical data | Supply

| | |
|-----------------|---------------|
| Power frequency | 10 ... 400 Hz |
|-----------------|---------------|

Electrical data | Input

| | |
|-----------------------|-------|
| Input voltage AC min. | 400 V |
|-----------------------|-------|

| | |
|-----------------------|-------|
| Input voltage AC max. | 575 V |
|-----------------------|-------|

Installation | Connection

| | |
|--------|--------|
| Gender | female |
|--------|--------|

Installation | Pin assignment

| | |
|--------------|---------|
| No. of poles | 10 + PE |
|--------------|---------|

Mechanical data | Material data

| | |
|-----------------|---------------|
| Coating housing | powder-coated |
|-----------------|---------------|

| | |
|------------------|----------------------|
| Material housing | Aluminum die casting |
|------------------|----------------------|

Mechanical data | Mounting data

| | |
|--------|-------|
| Height | 72 mm |
|--------|-------|

| | |
|-------|-------|
| Width | 93 mm |
|-------|-------|

| | |
|-------|-------|
| Depth | 43 mm |
|-------|-------|

Environmental characteristics | Climatic

| | |
|----------------------------|--------|
| Operating temperature min. | -20 °C |
|----------------------------|--------|

| | |
|----------------------------|-------|
| Operating temperature max. | 60 °C |
|----------------------------|-------|