

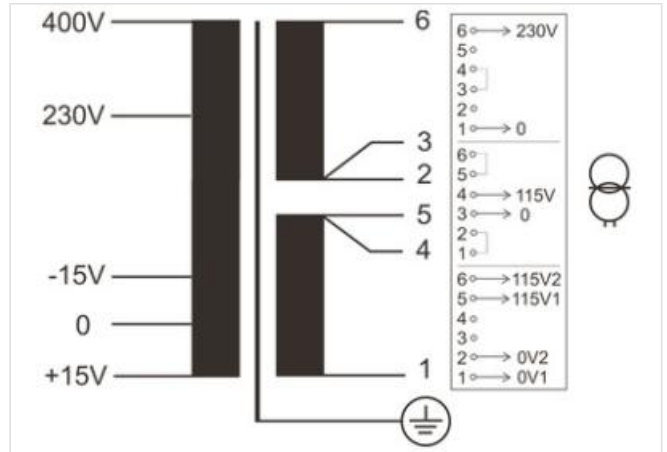
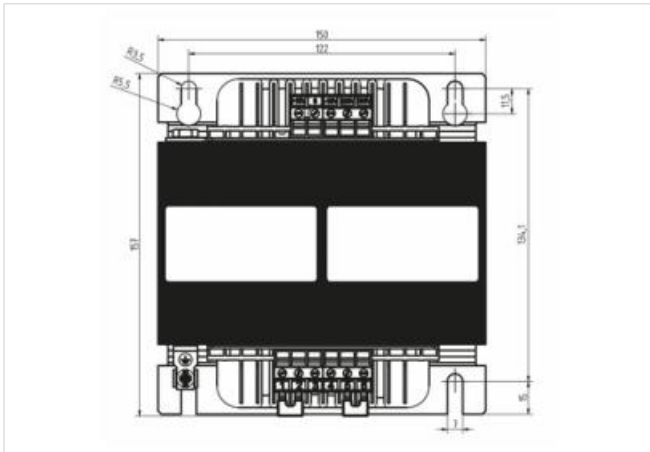
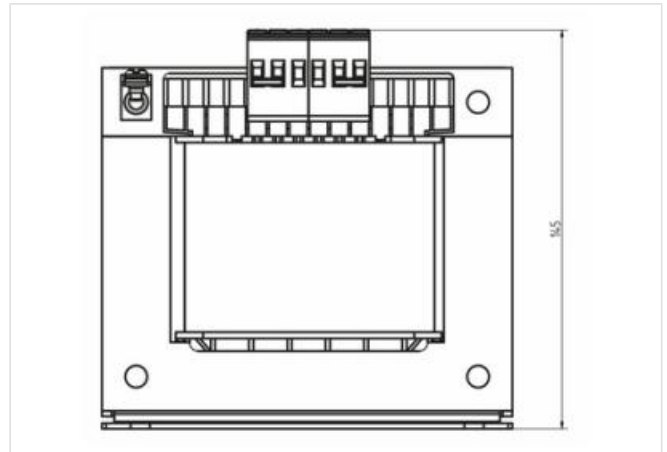
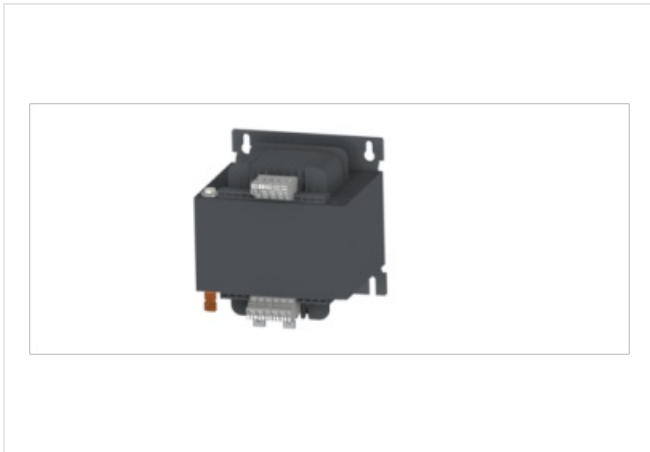
## MTL 1-PHASE CONTROL AND ISOLATION TRANSFORMER

P: 1000VA IN: 230/400VAC +/- 15VAC OUT: 2x115VAC

The MTL series comprises single-phase control transformers/isolating transformers of the protection class I and protection degree IP20 with double insulation between the primary and secondary windings for general use in industrial applications.

### Link to Product

#### Illustration



Product may differ from Image



#### Commercial data

ECLASS-6.0	27031302
ECLASS-7.0	27031302
ECLASS-8.0	27031302
ECLASS-9.0	27031302
ETIM-5.0	EC002486
customs tariff number	85043180
GTIN	4048879078146

Packaging unit 1

#### Electrical data | Supply

Power frequency 50/60 Hz

#### Electrical data | Input

Input voltage 1 AC 230 V

Input voltage 2 AC 400 V

Input current at input voltage 1 AC 4,6 A

Input current at input voltage 2 AC 2,65 A

Inrush current at input voltage 1 72 A

Inrush current at input voltage 2 40 A

Short-circuit current at input voltage 1 147 A

Short-circuit current at input voltage 2 85 A

#### Electrical data | Output

Output voltage 1 × 230 / 1 × 115 / 2 × 115 V AC

#### Mechanical data | Mounting data

Mounting method screwed

Suitable for mounting type Schlüssellochaufhängung

Mounting dimension a 134,1 mm

Mounting dimension b 122 mm

Mounting dimension c 3,5 mm

Height 157 mm

Width 150 mm

Depth 145 mm

Diameter bore 3,5 mm

Length bore 11 mm

#### Environmental characteristics | Climatic

Ambient temperature min. -20 °C

Ambient temperature max. 60 °C

Storage temperature min. -30 °C

Storage temperature max. 80 °C

#### Conformity

Product standard EN 61558-1, EN 61558-2-4, EN 62041

EMC 2014/30/EU