

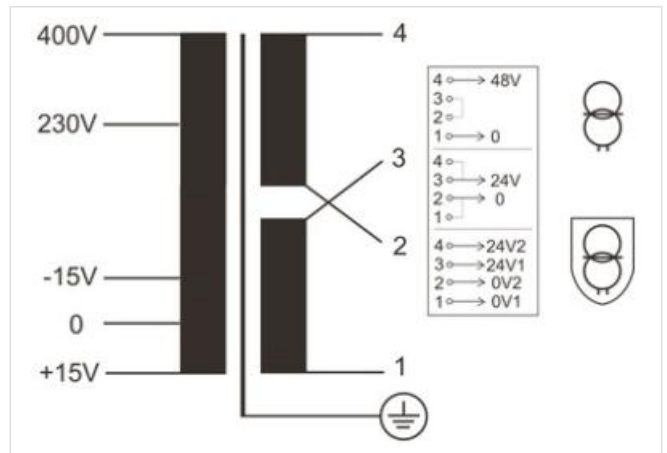
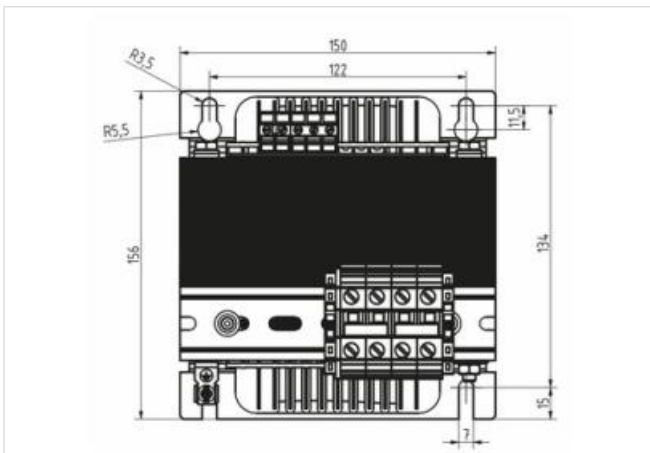
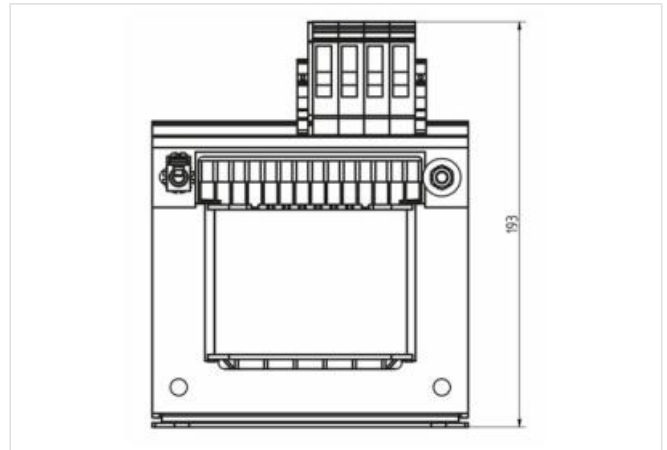
## MTL 1-PHASE SAFETY TRANSFORMER

P: 1000VA IN: 230/400VAC +/- 15VAC OUT: 2x24VAC

The MTL series comprises single-phase safety transformers/isolating transformers of the protection class I and protection degree IP20 with double insulation between the primary and secondary windings for general use in industrial applications.

### [Link naar het product](#)

#### Afbeelding



Product van afwijken van afbeelding



#### Commerciële gegevens

ECLASS-6.0	27031302
ECLASS-7.0	27031302
ECLASS-8.0	27031302
ECLASS-9.0	27031302
ETIM-5.0	EC002486
Douane tarief nummer	85043180
GTIN	4048879078269

Verpakkingseenheid 1

**Electrical data | Supply**

Power frequency 50/60 Hz

**Electrical data | Input**

Input voltage 1 AC 230 V

Input voltage 2 AC 400 V

Input current at input voltage 1 AC 4,6 A

Input current at input voltage 2 AC 2,65 A

Inrush current at input voltage 1 74 A

Inrush current at input voltage 2 42 A

Short-circuit current at input voltage 1 134 A

Short-circuit current at input voltage 2 77 A

**Electrical data | Output**

Output voltage 1 × 24 / 1 × 48 / 2 × 24 V AC

**Mechanical data | Mounting data**

Mounting method screwed

Suitable for mounting type Schlüssellochaufhängung

Mounting dimension a 134 mm

Mounting dimension b 122 mm

Mounting dimension c 3,5 mm

Height 156 mm

Width 150 mm

Depth 193 mm

Diameter bore 3,5 mm

Length bore 11,5 mm

**Environmental characteristics | Climatic**

Ambient temperature min. -20 °C

Ambient temperature max. 60 °C

Storage temperature min. -30 °C

Storage temperature max. 80 °C

**Conformity**

Product standard EN 61558-1, EN 61558-2-4, EN 61558-2-6, EN 62041

EMC 2014/30/EU