

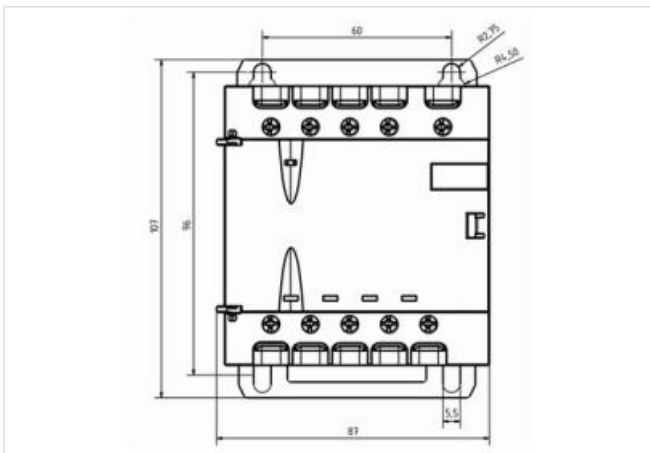
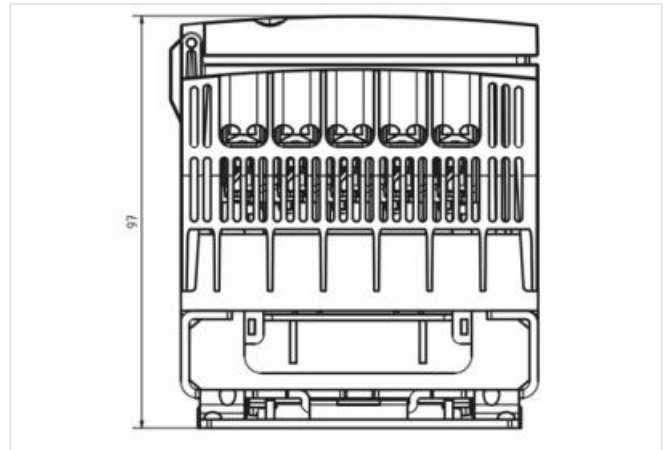
MTL 1-PHASE SAFETY TRANSFORMER

P: 25VA IN: 230/400VAC +/- 15VAC OUT: 2x24VAC

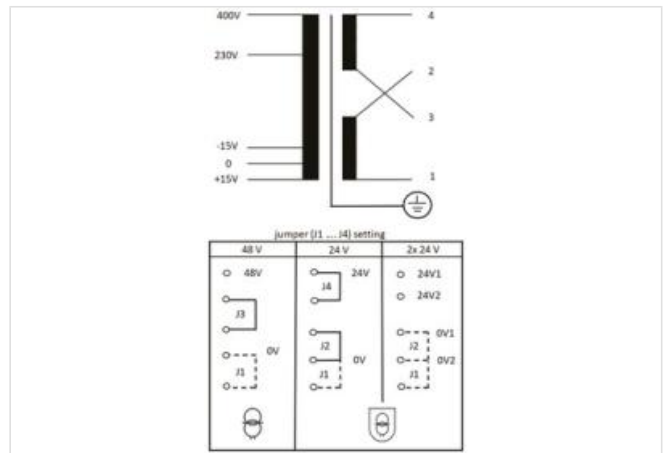
The MTL series comprises single-phase safety transformers/isolating transformers of the protection class I and protection degree IP20 with double insulation between the primary and secondary windings for general use in industrial applications.

[Link to Product](#)

Illustration



Product may differ from Image



Commercial data

ECLASS-6.0	27031302
ECLASS-7.0	27031302
ECLASS-8.0	27031302
ECLASS-9.0	27031302
ETIM-5.0	EC002486
customs tariff number	85043180
GTIN	4048879078351

Packaging unit 1

Electrical data | Supply

Power frequency 50/60 Hz

Electrical data | Input

Input voltage 1 AC 230 V

Input voltage 2 AC 400 V

Input current at input voltage 1 AC 0,18 A

Input current at input voltage 2 AC 0,1 A

Inrush current at input voltage 1 2,6 A

Inrush current at input voltage 2 1,5 A

Short-circuit current at input voltage 1 1,3 A

Short-circuit current at input voltage 2 0,75 A

Electrical data | Output

Output voltage 1 × 24 / 1 × 48 / 2 × 24 V AC

Output voltage AC 1 48 V

Output voltage AC 2 24 V

Mechanical data | Mounting data

Mounting method screwed, geschnappt

Suitable for mounting type Tragschiene TH35-15, Schlüssellochaufhängung, (EN 60715)

Mounting dimension a 96 mm

Mounting dimension b 60 mm

Mounting dimension c 2,75 mm

Height 107 mm

Width 87 mm

Depth 97 mm

Diameter bore 2,75 mm

Environmental characteristics | Climatic

Ambient temperature min. -20 °C

Ambient temperature max. 60 °C

Operating temperature min. -20 °C

Operating temperature max. 60 °C

Storage temperature min. -30 °C

Storage temperature max. 80 °C

Conformity

Product standard EN 61558-2-4, EN 61558-2-6, EN 62041, EN 61558-1

EMC 2014/30/EU

Connection type 2

Connection Screw terminals SK

Family construction form terminal

Gender female

No. of poles 5

PIN 1 + 15 V

PIN 3 - 15 V

PIN 4 230 V

PIN 5 400 V

Connection Screw terminals SK

Family construction form terminal

Gender female

No. of poles 5

PIN 1 PE

PIN 2 1

PIN 3	2
PIN 4	3
PIN 5	4