

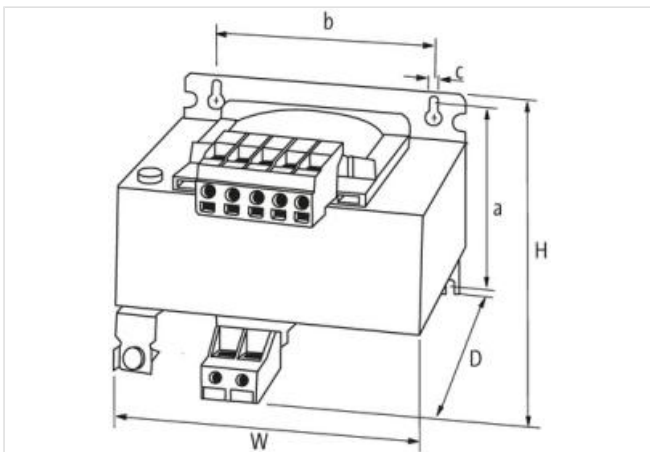
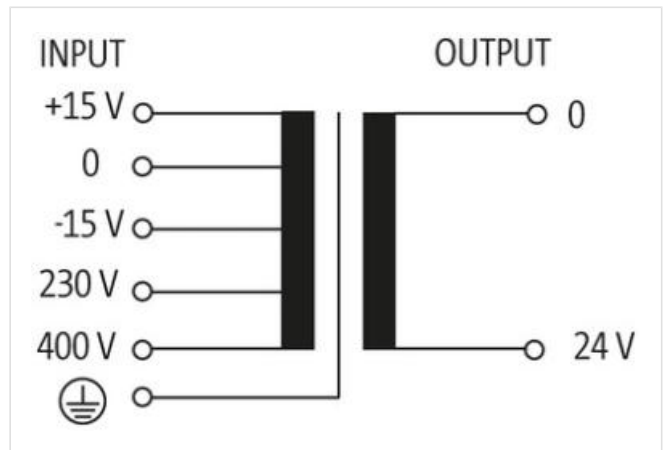
MTS 1-PHASE SAFETY TRANSFORMER

P: 40VA IN: 230/400VAC +/- 15VAC OUT: 24VAC

Single-phase safety transformer
40 VA
Isolation class T 40/B
Other voltages on request.

[Link to Product](#)

Illustration



Product may differ from Image



Commercial data

ECLASS-6.0	27031302
ECLASS-6.1	27031302
ECLASS-7.0	27031302
ECLASS-8.0	27031302
ECLASS-9.0	27031302
ECLASS-10.1	27031302

ECLASS-11.1	27031302
ECLASS-12.0	27031302
ETIM-5.0	EC002486
customs tariff number	85043180
GTIN	4048879078450
Packaging unit	1
Electrical data	
Security level	SELV
Electrical data Supply	
Power frequency	50 ... 60 Hz
Electrical data Input	
Input voltage 1 AC	230 V
Input voltage 1 AC min.	195,5 V
Input voltage 1 AC max.	264,5 V
Input voltage 2 AC	400 V
Input voltage 2 AC min.	340 V
Input voltage 2 AC max.	460 V
Input current at input voltage 1 AC	0,24 A
Input current at input voltage 2 AC	0,138 A
Inrush current at input voltage 1	1,35 A
Inrush current at input voltage 2	0,78 A
Short-circuit current at input voltage 1	1,75 A
Short-circuit current at input voltage 2	1 A
Electrical data Output	
Output voltage AC	24 V
Output voltage adjustable	no
Power rating AC max.	40 VA
Device protection Electrical	
Insulation test voltage input - output	4 kV
Mechanical data Mounting data	
Mounting method	geschnappt
Suitable for mounting type	Mounting rail TH35, Long-hole mounting, (EN 60715)
Mounting dimension a	56 mm
Mounting dimension b	56 mm
Mounting dimension c	4,8 mm
Height	78 mm
Width	78 mm
Depth	93 mm
Diameter bore	4,8 mm
Length bore	8,4 mm
Environmental characteristics Climatic	
Operating temperature min.	-20 °C
Operating temperature max.	40 °C
Storage temperature min.	-40 °C
Storage temperature max.	80 °C
Conformity	
Product standard	EN 61558-2-4, EN 61558-2-6, EN 62041 category 0
Connection type 3	
Connection type 1	Input
Connection type 2	Output
Connection	Screw terminals SK

Family construction form	terminal
Gender	female
No. of poles	5
PIN 1	+ 15 V
PIN 3	- 15 V
PIN 4	230 V
PIN 5	400 V
Connection	Screw terminals SK
Family construction form	terminal
Gender	female
No. of poles	2
PIN 2	24 V DC
Connection	Screw terminals SK
Family construction form	terminal
Gender	female
Color contact carrier	metallic
No. of poles	1
PIN 1	PE