

MPL POWER SUPPLY 3-PHASE, SMOOTHED

IN: 208-520VAC+/- 5% OUT: 24V/15ADC

Current: 15 A

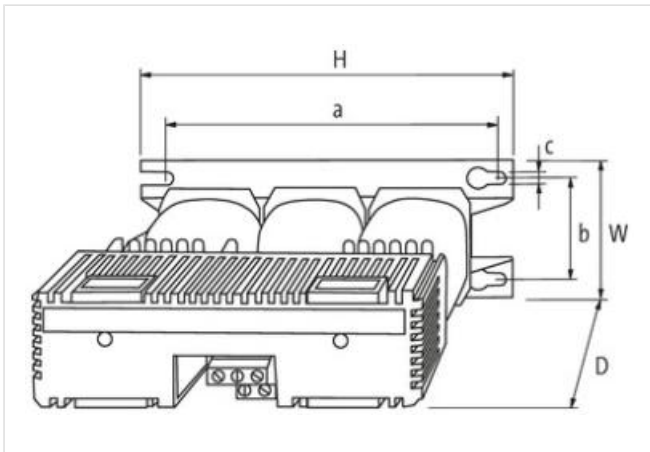
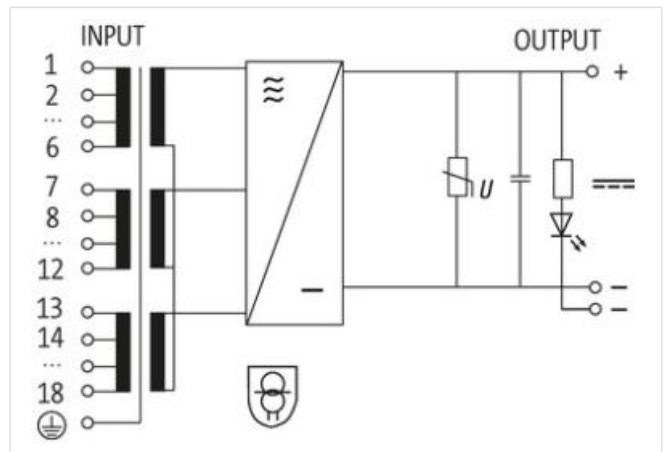
Output rating: 360 W

This power supply units meet the (EN 61000-3-2) standard for harmonic current.

Any mounting position on vertical wall, condensation not permissible

[Link naar het product](#)

Afbeelding



Product van afwijken van afbeelding

Commerciële gegevens

ECLASS-6.0	27049002
ECLASS-7.0	27049002
ECLASS-8.0	27049002
ECLASS-9.0	27040701
ETIM-5.0	EC002540
Douane tarief nummer	85044095
GTIN	4048879079112
Verpakkingseenheid	1

Electrical data

Security level	SELV
----------------	------

Electrical data Supply	
Power frequency	50 ... 60 Hz
Electrical data Input	
Input voltage AC min.	208 V
Input voltage AC max.	520 V
Phase number input	3
Efficiency	75 %
Electrical data Output	
Fuse protection secondary side external	15 A
Output suppression	LED, Screening capacitor, VDR
Output voltage DC	24 V
Output voltage adjustable	no
Output current max.	15 A
Characteristic secondary fuse	Inertia
Ripple max.	2 %
Mechanical data Mounting data	
Suitable for mounting type	Schlüssellochaufhängung
Mounting dimension a	195 mm
Mounting dimension b	59 mm
Mounting dimension c	6,5 mm
Height	220 mm
Width	81 mm
Depth	208 mm
Environmental characteristics Climatic	
Operating temperature min.	-20 °C
Operating temperature max.	55 °C
Conformity	
Product standard	EN 61558-2-6, EN 62041 category I
EMC	EN 55011 B, EN 61000-3-2