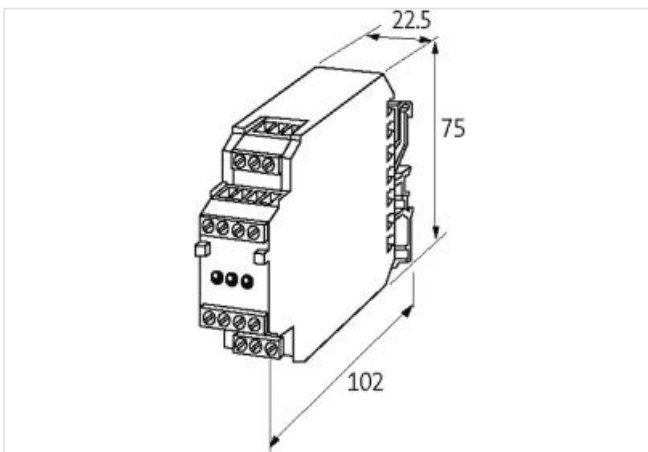
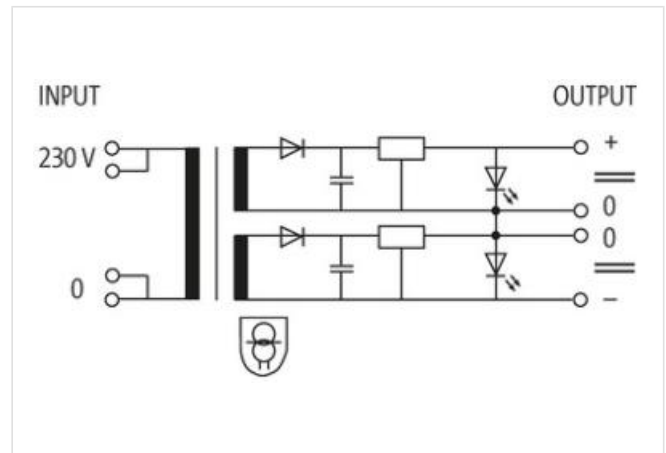


MKN POWER SUPPLY 1-PHASE, LINEAR REGULATED

IN: 230VAC OUT: 2x10V/0,1ADC

INPUT: 230 V AC
 OUTPUT: +-10 V DC
 Current: 2x 50 mA

This power supply units meet the (EN 61000-3-2) standard for harmonic current.
 Condensation not permitted

[Link naar het product](#)**Afbeelding**

Product van afwijken van afbeelding

**Commerciële gegevens**

ECLASS-6.0	27049002
ECLASS-6.1	27049002
ECLASS-7.0	27049002
ECLASS-8.0	27049002
ECLASS-9.0	27040701

ECLASS-10.1	27040701
ECLASS-11.1	27040701
ECLASS-12.0	27040701
ETIM-5.0	EC002540
Douane tarief nummer	85044095
GTIN	4048879079648
Verpakkingseenheid	1

Electrical data | Supply

Power frequency	50 ... 60 Hz
-----------------	--------------

Electrical data | Input

Characteristic back-up fuse	Inertia
Input voltage AC min.	207 V
Input voltage AC max.	253 V
Input current	20 mA
External back-up fuse per phase max.	0,063 A

Electrical data | Output

Output suppression	LED, Screening capacitor, VDR
Output current per channel max.	0,05 A
Ripple (s-s) max.	10 mV

Device protection | Electrical

Overload protection output	yes
Short-circuit protection output	yes

Mechanical data | Mounting data

Mounting method	geschnappt
Suitable for mounting type	Mounting rail TH35, G32, (EN 60715)

Environmental characteristics | Climatic

Operating temperature min.	0 °C
Operating temperature max.	60 °C

Conformity

Product standard	EN 61558-2-6, EN 62041 category II
EMC	EN 55011 B, EN 61000-3-2