

## CUBE20S POTENTIAL DISTRIBUTORS

4 x 24 V DC + 4 x 0 V DC

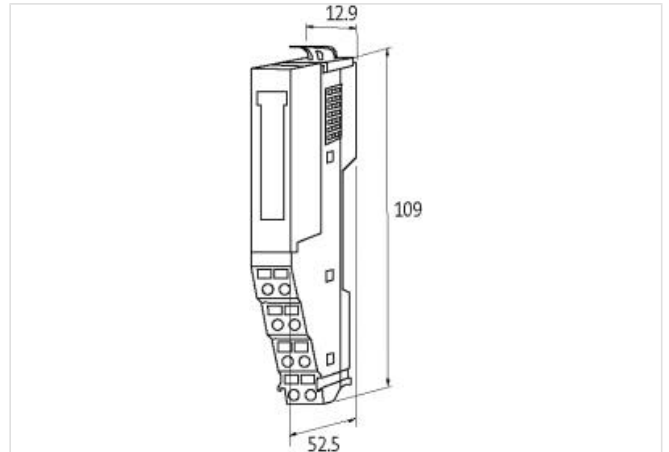
Potential distributor  
Expansion module  
4x 24 V DC

### [Link naar het product](#)

#### Afbeelding



Product van afwijken van afbeelding



#### Commerciële gegevens

ECLASS-6.0	27379201
ECLASS-6.1	27242611
ECLASS-7.0	27242611
ECLASS-8.0	27242611
ECLASS-9.0	27242611
ECLASS-10.1	27242611
ECLASS-11.1	27242611
ECLASS-12.0	27242611
ETIM-5.0	EC001600
Douane tarief nummer	85369010
GTIN	4048879422871
Verpakkingseenheid	1

#### Electrical data | Supply

Operating voltage DC max.	30 V
Total current max.	10 A

#### Device protection | Electrical

Degree of protection (EN IEC 60529)	IP20
-------------------------------------	------

#### Mechanical data | Mounting data

Mounting method	geschnappt
Suitable for mounting type	mounting rail, (EN 60715)
Height	109 mm

Width	12,9 mm
-------	---------

Depth	52,5 mm
-------	---------

#### Environmental characteristics | Climatic

Operating temperature min.	0 °C
----------------------------	------

Operating temperature max.	60 °C
----------------------------	-------

Storage temperature min.	-25 °C
--------------------------	--------

Storage temperature max.	70 °C
--------------------------	-------

#### Connection type 2

Connection type 1	Power
-------------------	-------

Connection type 2	Power
-------------------	-------

Connection	Spring clamp terminals FK
------------	---------------------------

Family construction form	terminal
--------------------------	----------

Gender	female
--------	--------

No. of poles	8
--------------	---

PIN 1	n.c.
-------	------

PIN 2	24 V DC
-------	---------

PIN 3	0 V
-------	-----

PIN 4	24 V DC Sys
-------	-------------

PIN 5	n.c.
-------	------

PIN 6	24 V DC
-------	---------

PIN 7	0 V
-------	-----

PIN 8	0 V Sys
-------	---------

Connection	Spring clamp terminals FK
------------	---------------------------

Family construction form	terminal
--------------------------	----------

Gender	female
--------	--------

No. of poles	8
--------------	---

PIN 1	24 V DC
-------	---------

PIN 2	24 V DC
-------	---------

PIN 3	24 V DC
-------	---------

PIN 4	24 V DC
-------	---------

PIN 5	0 V DC
-------	--------

PIN 6	0 V DC
-------	--------

PIN 7	0 V DC
-------	--------

PIN 8	0 V DC
-------	--------