

## SUPPRESSOR FOR CONTACTORS

VDR, 110 VAC/DC, 100 VA/W

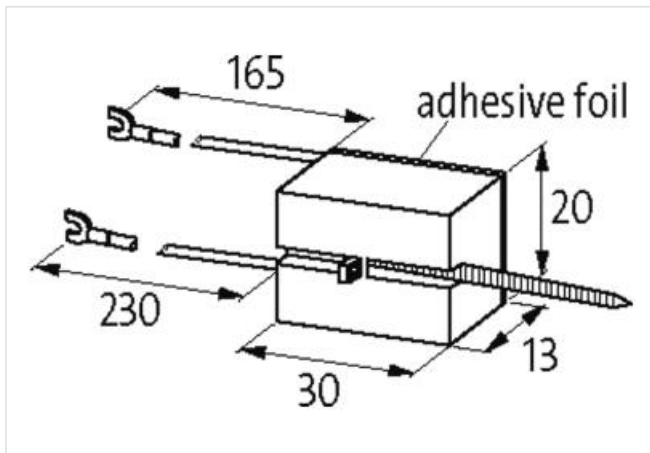
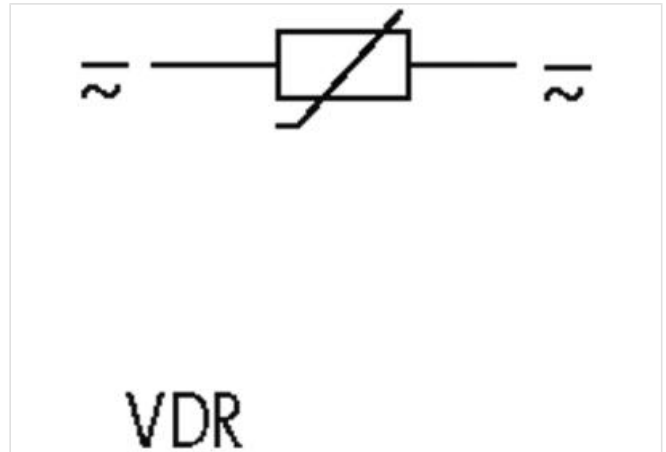
110 V AC/DC

VDR

For other configurations and voltages, please inquire.

### [Link to Product](#)

#### Illustration



Product may differ from Image



#### Commercial data

ECLASS-6.0	27371013
ECLASS-6.1	27371013
ECLASS-7.0	27371013
ECLASS-8.0	27371013
ECLASS-9.0	27371013
ECLASS-10.1	27371013

ECLASS-11.1	27371013
ECLASS-12.0	27371013
ETIM-5.0	EC002498
customs tariff number	85363010
GTIN	4048879018142
Packaging unit	1

#### Compatibility | Compatible with

Appropriate contactors	universal
------------------------	-----------

#### Electrical data

Damping factor	1.5× UN
Holding power max.	100 W

#### Electrical data | Input

Input voltage AC min.	48 V
Input voltage AC max.	130 V
Input voltage DC min.	48 V
Input voltage DC max.	130 V

#### Installation | Connection

Connection information	self-securing cable forks
------------------------	---------------------------

#### Device protection | Media

Flame resistance	flame retardant
------------------	-----------------

#### Mechanical data | Material data

Combustibility class housing (UL94)	V-0
Material housing	Plastic

#### Mechanical data | Mounting data

Height	30 mm
Width	20 mm
Depth	13 mm

#### Environmental characteristics | Climatic

Operating temperature min.	-20 °C
Operating temperature max.	70 °C