

UNIVERSAL CONTACTOR SUPPRESSOR

RC, 230VAC/DC/75VA/W

Artnr: 20010

Gewicht: 0,027 kg

Land van oorsprong: CZ

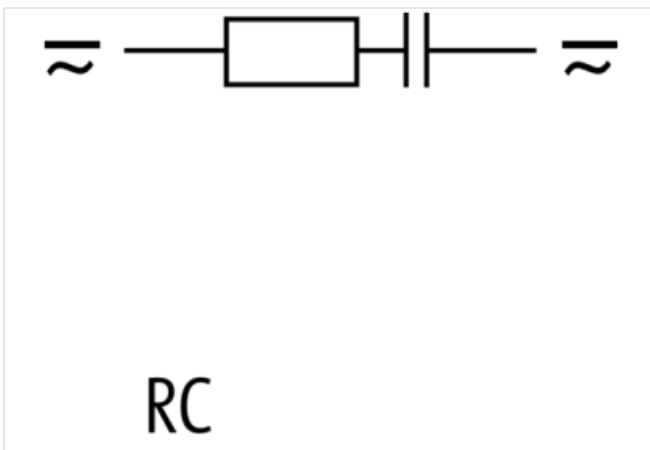
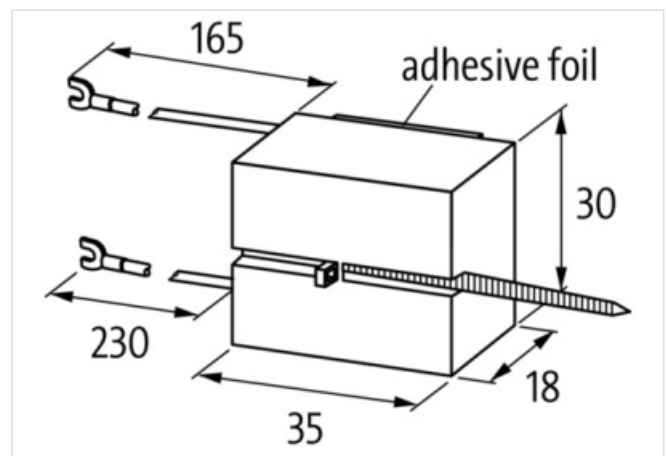
Modelaanduiding: RC-AD 068/230

230 V AC/DC

RC

Link naar het product

Afbeelding



Product van afwijken van afbeelding



Commerciële gegevens

URL Webshop	https://shop.murrelektronik.com/20010
GTIN	4048879020688
ECLASS-6.0	27371013
ECLASS-6.1	27371013
ECLASS-7.0	27371013

ECLASS-7.1	27371013
ECLASS-8.0	27371013
ECLASS-8.1	27371013
ECLASS-9.0	27371013
ECLASS-9.1	27371013
ECLASS-10.0.1	27371013
ECLASS-10.1	27371013
ECLASS-11.0	27371013
ECLASS-11.1	27371013
ECLASS-12.0	27371013
ECLASS-13.0	27371013
ECLASS-14.0	27371013
ETIM-5.0	EC002498
ETIM-6.0	EC002498
ETIM-7.0	EC002498
ETIM-8.0	EC002498
Douane tarief nummer	85363010
EAN	4048879020688
Verpakkingseenheid	1

Electrical data

Damping factor	1.5x UN
Holding power max.	75 W

Electrical data | Input

Input voltage AC min.	110 V
Input voltage AC max.	230 V
Input voltage DC min.	110 V
Input voltage DC max.	230 V

Installation | Connection

Connection information	self-securing cable forks
------------------------	---------------------------

Device protection | Media

Flame resistance	flame retardant
------------------	-----------------

Mechanical data | Material data

Material housing	Plastic
Combustibility class housing (UL94)	V-0

Mechanical data | Mounting data

Height	35 mm
Width	30 mm
Depth	18 mm

Environmental characteristics | Climatic

Operating temperature min.	-20 °C
Operating temperature max.	70 °C